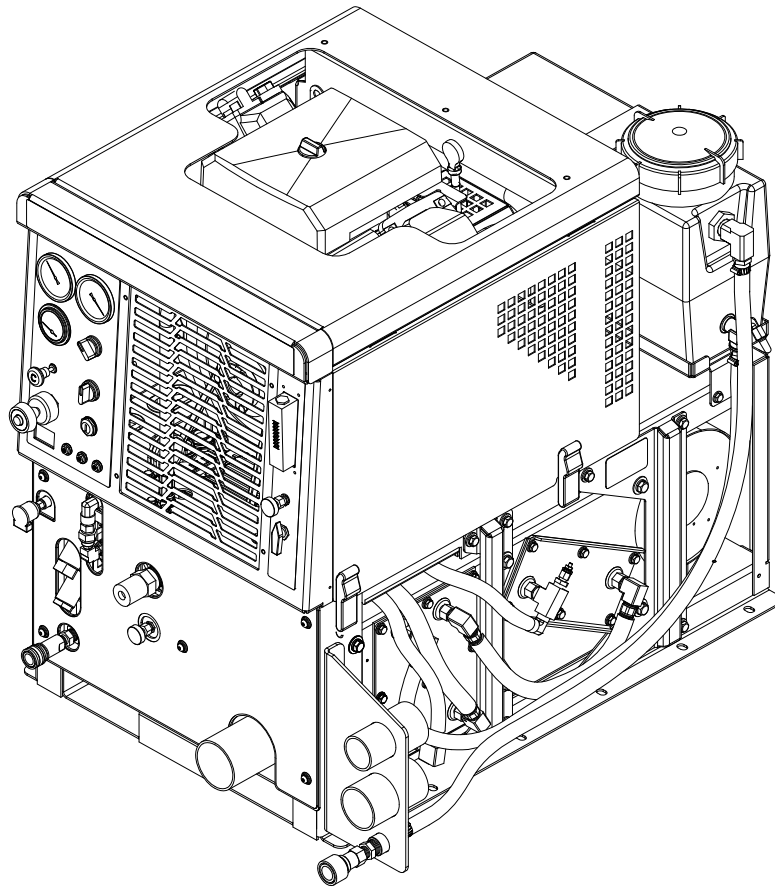


PROCHEM®

LEGEND GT

MOBILE CLEANING UNIT

Operating Instructions (ENG)



MODELS: LEGEND GT
1.001-119.0

Read instructions before operating the machine.

Left intentionally blank

Model: _____
Date of Purchase: _____
Serial Number: _____
Dealer: _____
Address: _____
Phone Number: _____
Sales Representative: _____

Welcome...and congratulations on the purchase of your Mobile Cleaning Unit. This instruction manual is a guide for operating and servicing your unit. **Read this manual completely before installing or operating this unit.** This unit offers you personal convenience. All of your instrumentation and controls have been positioned to give you easy access for operation and daily maintenance.

Proper operation and service are essential to the efficient functioning of this unit. When maintained correctly, this unit will have a long, trouble-free life.

The service methods described in this manual are explained in such a manner that servicing may be performed accurately and safely. Proper service varies with the choice of procedure, the skill of the mechanic, and the tools or parts available. Before attempting any repair, make certain that you are thoroughly familiar with this equipment and are equipped with the proper tools. Any questions pertaining to operating or servicing this unit should be directed to your nearest dealer.

THIS UNIT MUST BE INSTALLED BY THE DEALER FROM WHOM YOU PURCHASED IT IN ACCORDANCE WITH THE PRESCRIBED INSTALLATION PROCEDURES.

MAKE CERTAIN THAT THE WARRANTY CARD IS FILLED OUT AT THE TIME OF INSTALLATION AND IS RETURNED TO YOUR DEALER.

PROFESSIONAL CHEMICALS CORPORATION
325 SOUTH PRICE ROAD
CHANDLER, ARIZONA 85224

Information in this document is subject to change without notice and does not represent a commitment on the part of Professional Chemicals Corporation.

Table of Contents

Machine Data Log / Overview	1
Table of Contents	2
Receiving Your Unit	4
Acceptance of Shipment	4
Equipment List	4
How to Use This Manual	5

Safety

IMPORTANT SAFETY INSTRUCTIONS	6
Safety Labels	8

Operations

Technical Specifications	9
Installation Requirements	10
Fuel Requirements	10
Engine Oil Requirements	10
Altitude Requirements	10
Chemical Requirements	11
Water Requirements	11
Components	12
Vacuum System	15
Water Pumping and Heat Transfer System	16
Heat Exchanger	16
Chemical Injection System	18
Pre-Run Inspection	19
Water Supply Connection	19
High Pressure Hose	19
Vacuum Hose	19
Filters	19
Priming The Chemical Pump	20
Waste Pump (Optional)	20
Cleaning	20
Upholstery Cleaning	21
Shutdown And Daily Maintenance	21
De-Flooding Operations	21
Freezing Protection	21
Overheating Protection	21
Winterizing Your Unit	22
Removing Anti-Freeze From the Unit	23

Maintenance

Service Schedule	24
Key Checkpoints	26
External Fuel Pump Maintenance	26
Chemical Supply System Maintenance	26
Heat Exchanger System Maintenance	26
Vacuum Pump Maintenance	26
Engine	27
Vacuum Pump	28
Water Pump	29
Vacuum Inlet Filter (in Waste Tank)	29
Vacuum Relief Valve	29
Vacuum Pump Drive Belts	29
Water Pump Drive Belt	30
Float Valve (Water Box	30
Waste Tank Strainer Basket	30
Waste Tank Vacuum Inlet Filter	30
Waste Tank Float Valve	30
Solution Screen (Outlet)	30
Check Valve (Outlet)	31
Chemical Pump	31
Chemical and Temperature Control Valves	31
Pressure Regulator	31
Vacuum Hoses	31
High Pressure Hoses	31
Optional Waste Pump-Out	31
General Service Adjustments	32
Engine Speed	32
Check Valve (Solution Outlet)	32
Water Box	32
Chemical Pump	32
Drive Belts for Water Pump and Vacuum Pump ..	32
Chemical Metering Bypass and Chemical Selector Valves	33
Pressure Regulator	33
TroubleShooting	34

PARTS

Frame 40

Side Panel. 42

Control Panel - Upper 44

Engine. 48

Vacuum Pump 50

Water and Chemical Pump. 52

Water Pump 54

Heat Exchanger 56

Pressure Regulator & Temperature Control Valve 58

Solution Outlet 60

Water Box 62

60 Gallon Waste Tank - From Serial Number *(1) 64

60 Gallon Waste Tank - To Serial Number *(1) . . 66

100 Gallon Waste Tank 68

Battery - Floor Mount 70

Hose Accessories 72

Exhaust-Optional 74

Automatic Pumpout - Optional 76

Wand - Titanium Six Jet - Optional 80

Wand - Ergo Titanium Six Jet - Optional. 82

Wand - Quad Jet - Optional 84

Wand - Tri Jet - Optional. 86

Stair Tool - Optional 88

Upholstery Tool - Optional 90

Shelf Assembly - Optional. 92

Water Tank, Dual With Demand Pump - Optional 94

Water Tank - Demand Pump - Optional 96

Auxiliary Water Tank with Pump. 98

Auxiliary Water Tank - Optional 100

Hose Reel - Optional. 102

Wiring Diagram 104

Hose Diagram 105

Serial Numbers 106

Acceptance of Shipment

Every part of your cleaning unit was carefully checked, tested, and inspected before it left our manufacturing plant. Upon receiving the unit, make the following acceptance check:

1. The unit should not show any outward signs of damage. If damaged, notify the delivering carrier immediately.
2. Check your equipment and packing list. The cleaning unit should arrive equipped with the following items (unless otherwise specified).

Note: your distributor from whom you purchased this mobile cleaning unit is responsible for the correct installation of this machine. The dealer is also responsible for initial training of your operators and maintenance personnel in the proper operation and maintenance of this unit.

Equipment List

1. Console.
2. Waste Tank
3. Hose Clamps For Vacuum Hoses.
4. 100 Ft. Of 2" Vacuum Hose.
5. 1 Vacuum Hose Connection.
6. 100 Ft. Of 1/4" High Pressure Hose With Quick Connects.
7. 50 Ft. Water Supply Hose With Quick Connect.
8. Installation Bolting Kit.
9. Installation Mounting Plates.
10. Operation And Service Manual For Engine, Water Pump, And Vacuum Pump.

Each unit will require a fuel system installation kit that is purchased separately from the unit.

This manual contains the following sections:

- How to Use This Manual
- Safety
- Operations
- Maintenance & Service
- Parts List

The HOW TO USE THIS MANUAL section will tell you how to find important information for ordering correct repair parts.

Parts may be ordered from authorized dealers. When placing an order for parts, the machine model and machine serial number are important. Refer to the MACHINE DATA box which is filled out during the installation of your machine. The MACHINE DATA box is located on the inside of the front cover of this manual.

Model: _____

Date of Purchase: _____

Serial Number: _____

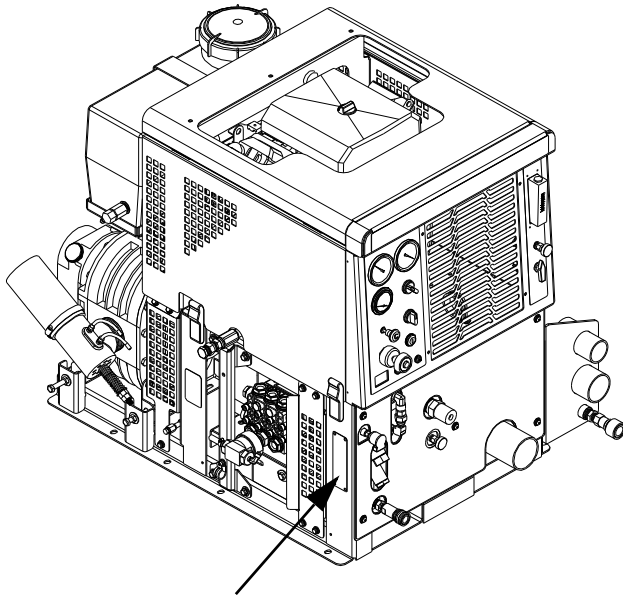
Dealer: _____

Address: _____

Phone Number: _____

Sales Representative: _____

The model and serial number of your machine is located approximately where shown.



The SAFETY section contains important information regarding hazardous or unsafe practices of the machine. Levels of hazards are identified that could result in product damage, personal injury, or severe injury resulting in death.

The OPERATIONS section is to familiarize the operator with the operation and function of the machine.

The MAINTENANCE section contains preventive maintenance to keep the machine and its components in good working condition. They are listed in this general order:

- Engine
- Vacuum Pump
- Drive Belts, Pulleys & Hubs
- Chemical Pump
- Hoses
- Exhaust Heat Exchanger
- General Service Adjustments
- Machine Troubleshooting

The PARTS LIST section contains assembled parts illustrations and corresponding parts list. The parts lists include a number of columns of information:

- **REF** – column refers to the reference number on the parts illustration.
- **PART NO.** – column lists the part number for the part.
- **PRV NO.** – reference number.
- **QTY** – column lists the quantity of the part used in that area of the machine.
- **DESCRIPTION** – column is a brief description of the part.
- **SERIAL NO. FROM** – If this column has an (*) and a Reference number, see the SERIAL NUMBERS page in the back of your manual. If column has two asterisk (**), call manufacturer for serial number. The serial number indicates the first machine the part number is applicable to. The main illustration shows the most current design of the machine. When a boxed illustration is shown, it displays the older design.
- **NOTES** – column for information not noted by the other columns.

NOTE: If a service or option kit is installed on your machine, be sure to keep the KIT INSTRUCTIONS which came with the kit. It contains replacement parts numbers needed for ordering future parts.

NOTE: The manual part number is located on the lower left corner of the front cover.

IMPORTANT SAFETY INSTRUCTIONS

When using this machine, basic precaution
must always be followed, including the following:

READ ALL INSTRUCTIONS BEFORE USING THIS MACHINE.



These symbols mean **WARNING** or **CAUTION**. Failure to follow warnings and cautions could result in fatality, personal injury to yourself and/or others, or property damage. Follow these instructions carefully!



Read the operator's manual before installing or starting this unit. Failure to adhere to instructions could result in severe personal injury or could be fatal.

Operate this unit and equipment only in a well-ventilated area. Exhaust fumes contain carbon monoxide which is an odorless and deadly poison that can cause severe injury or fatality. **DO NOT** run this unit in an enclosed area. **DO NOT** operate this unit where the exhaust may enter any building doorway, window, vent, or opening of any type.

Gasoline is extremely flammable and its vapors can explode if ignited. Store gasoline only in approved containers, in well-ventilated, unoccupied buildings away from sparks or flames. Never carry any gasoline or flammable material in the vehicle. Fumes may accumulate inside the vehicle and ignite, causing an explosion.

DO NOT store any type of flammable material in the vehicle.

This unit must be operated with the vehicle or trailer doors open in order to ensure adequate engine ventilation.

DO NOT operate engine if gasoline is spilled. Avoid creating any ignition until the gasoline has been cleaned up. Never use gasoline as a cleaning agent.

DO NOT place hands, feet, hair, or clothing near rotating or moving parts. Avoid any contact with moving parts! Rotating machinery can cause injury or fatality.

Never operate this unit without belt guards. The high speed moving parts, such as belts and pulleys, should be avoided while this unit is running. Severe injury, damage, or fatality may result.

DO NOT service this unit while it is running. The high-speed mechanical parts as well as high temperature components may result in severe injury or severed limbs.

Never touch electrical wires or components while the engine is running. They can be sources of electrical shock.

Engine components can get extremely hot from operation. To prevent severe burns, **DO NOT** touch these areas while the engine is running or immediately after the engine is turned off.

DO NOT touch any part of the exhaust system while this unit is running. Severe burns may result.

Before servicing this unit, allow it to "cool down." This will prevent burns from occurring.

Water under high pressure at high temperature can cause burns, severe personal injury, or fatality. Shut down machine, allow to cool down, and relieve system of all pressure before removing valves, caps, plugs, fittings, filters, and bolts.

Always wear hearing protection when unit is running. Always comply with your company's Personal Protection Equipment (PPE) plan. Always comply with local noise ordinance when operating units.

DO NOT leave the vehicle engine running while operating this unit.

Dangerous Acid, Explosive Gases! Batteries contain sulfuric acid. To prevent acid burns, avoid contact with skin, eyes and clothing. Batteries produce explosive hydrogen gas while being charged. To prevent a fire or explosion, charge batteries only in well ventilated areas. Keep sparks, open flames, and other sources of ignition away from the battery at all times. Keep batteries out of the reach of children. Remove all jewelry when servicing batteries.

Before disconnecting the negative (-) ground cable, make sure all switches are OFF. If ON, a spark will occur at the ground cable terminal which could cause an explosion if hydrogen gas or gasoline vapors are present. When disconnecting the battery, **ALWAYS** disconnect the negative (-) terminal FIRST.

DO NOT smoke around the unit. Gas fumes may accumulate and be ignited. The battery is also extremely flammable. This will prevent possible explosions.

DO NOT damage the vehicle in any manner during installation. When routing fuel lines **DO NOT** place the hose in any location where damage may occur to the hose or vehicle. Avoid any contact with moving parts, areas of high temperature, brake lines, fuel lines, muffler, catalytic converter, or sharp objects.

Use only ProChem supplied fuel installation kits. Ensure to use the kit specific for the truckmount model and van model being used. When traversing the vehicle floor with fuel lines, always use a bulkhead adapter. This will prevent leakage and ensure that the hose is not punctured by vehicle vibration abrasion.

DO NOT exceed your vehicle's weight limit. The console with empty waste tank and accessories weighs approximately 810 lbs. Make certain to account for any additional accessories in your weight and balance calculations. Make certain that the vehicle has the correct axle rating. This will prevent unsafe vehicle driving conditions.

We require high-back seats on all vehicles in which units are to be installed for head and neck protection. We recommend using a metal partition between the seats and equipment.

DO NOT operate this unit without the water supply attached and turned on. The water pump and other vital components may be seriously damaged if this unit is permitted to operate dry without water.

DO NOT operate this unit without the filter installed in the waste tank.

Keep your vehicle work area clean. Wands, stair tools, and other accessories must be securely fastened before driving the vehicle.

All high pressure hoses must be rated for 3000 PSI at 250°F. Thermoplastic hoses do not meet these specifications and should not be used. Severe burns and injury may result if the hoses do not meet these requirements.

The winterizing loop hose assembly, Part #86260700, PRV NO. 10-805380, is for winterizing use only. If used improperly, live steam may escape from this hose, causing it to whip around. Burns or injury may result.

Make certain that you receive complete training by the distributor from whom you purchased this unit.

This unit uses high pressure and temperature. Improper or irresponsible use may result in serious injury.

Do not modify this unit in any manner. Improper modification can cause severe personal injury or fatality.

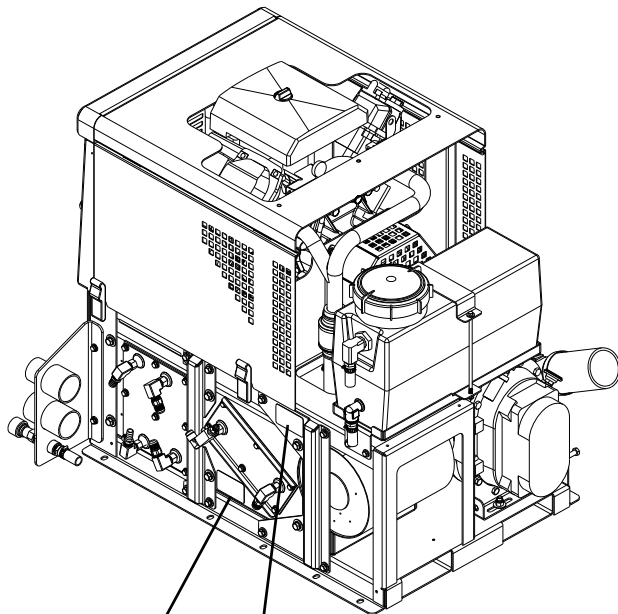
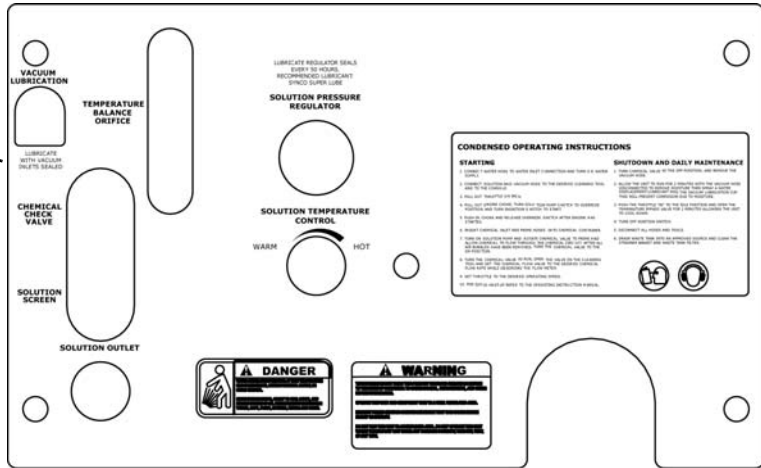
CALIFORNIA PROPOSITION 65 WARNING: Engine exhaust from this product contains chemicals known to the State of California to cause cancer, birth defects, or other reproductive harm. Running with out adequate water supply could damage water pump. Ensure always to have an adequate water supply.

Safety Labels

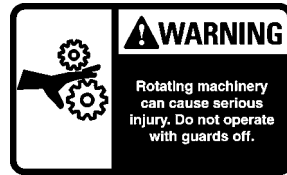
The following **WARNING LABELS** are found on your cleaning unit. These labels point out important **Warnings** and **Cautions** which should be followed at **all** times. Failure to follow warnings and cautions could result in fatality, personal injury to yourself and/or others, or property damage. Follow these instructions carefully! **DO NOT** remove these labels.

NOTE: If at any time the labels become illegible, promptly replace them.

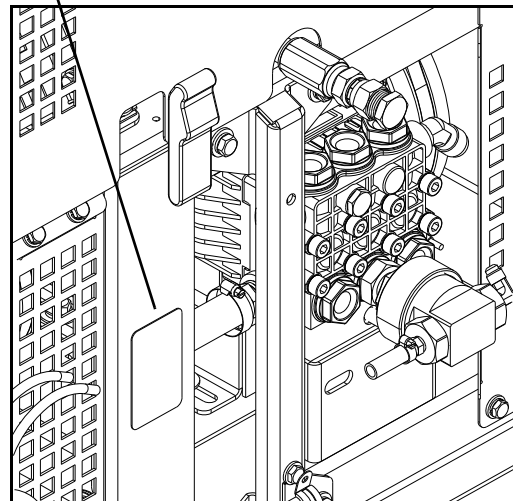
Lower Front Panel Decal with warning labels
86309420



Caution Label
86186530
PRV # 500770



Warning Label
86186520
PRV # 500769



Technical Specifications

ITEM	DIMENSION/CAPACITY
Engine speed	2950 rpm 1400 rpm (idle speed)
Water pump rpm	1680 rpm
Vacuum pump rpm	3385 rpm
Water flow rate	3.5 GPM (maximum)
Water pump pressure	1200 PSI (maximum)
Vacuum relief valve	13" Hg
Waste tank capacity	60 gallons
Console weight	600 lbs. (690 lbs. If mounted on water tank)
Console weight (with waste tank & accessories)	810 lbs (If waste tank is empty) (1325 lbs. If waste tank is full) (1840 lbs. If auxiliary water tank and waste tank are full)
TORQUE VALUES	
Engine rear vac pump pulley	25 foot lbs
Engine front water pump drive pulley	9 foot lbs
Mounting plate screw, M6	55 inch lbs 4.4 foot lbs
Coil plate, 1/4" screw	55 inch lbs 4.4 foot lbs

JET SIZING:

Manufacturer recommended floor tool tip sizing not to exceed a total of ".030". Using larger jet sizes on your cleaning unit may reduce cleaning temperatures.

Example: Tri-jet wand uses three 95010 jets (95° spray angle w/ 010 orifice).

$$01 \times 3 = 030$$

Upholstery tool jet size: 80015

Stair tool jet size: 9502

Installation Requirements

Prior to starting the installation, first read the **ENTIRE** "Installation" section of this manual. Since the cleaning unit (with empty waste tank and accessories) weighs approximately 810 lbs. (900 lbs. if mounted on water tank), consider the following recommendations before installing this unit.

1. The unit should **NOT** be mounted in any motor vehicle of less than **1/2 ton capacity**, or **3/4 ton** if equipped with one or more auxiliary fresh water tanks.

CAUTION:

The console with waste tank and accessories must NOT exceed the vehicle's axle weight limit.

2. If mounting in a trailer, make certain that the trailer is rated for the total weight of the **UNIT AND TRAILER**. Electric or hydraulic brakes should be provided, and a strict compliance with any State and Federal vehicle laws must be maintained.
3. The vehicle tires should have a load rating above the combined vehicle and unit weight.
4. We do not recommend using flooring materials that absorb water. This could result in rust and corrosion of the vehicle floor.
5. Padding under rubber floor mats should be removed before installing this unit.
6. We highly recommend using a galvanized drip tray under the console (Part #86050370, PRV NO. 56-501845, or Part #86050380, PRV NO. 56-501930 for units mounted on a water tank.)
7. If using a trailer, the console should be positioned so that it balances properly with respect to the axle. Ten percent (10%) of the overall unit weight (without accessories or water) should be on the tongue.

Fuel Requirements

Use unleaded gasoline ONLY. DO NOT use any gasoline additives. We recommend the use of clean, fresh, unleaded gasoline intended for automotive use. High octane gasoline should **NOT** be used with the engine on this unit. These engines are **NOT** designed to use E-85 or Flex Fuels.

Engine Oil Requirements

Use high quality detergent 10W-30 oil of at least API (American Petroleum Institute) service class SG, SH, SJ or higher.

NOTE: *Using a lower service class oil or extending oil change intervals longer than recommended can cause engine damage.*

NOTE: *Synthetic oils meeting the listed classifications may be used with oil changes performed at recommended intervals. However to allow piston rings to properly seat, a new or rebuilt engine should be operated for at least 50 hours using standard petroleum based oil before switching to synthetic oil.*

Altitude Requirements

Engines perform differently with increases/decreases in altitude. Be sure to check engine speeds during initial installation. See engine speeds in Technical Specifications section.

NOTE: *To ensure correct engine operation at altitudes above 1525 meters (5000 ft), it may be necessary to have an authorized Kohler dealer install a special high altitude jet kit in the carburetor. If a high altitude kit has been installed, the engine must be reconverted to the original jet size, before it is operated at lower altitudes, or overheating and engine damage can result.*

Chemical Requirements

The unit, due to its chemical injection pump design, can be used with a variety of water-diluted chemical compounds (either acidic or alkaline), depending on the job to be done. However, to obtain optimum results with this unit, we recommend using the Prochem line of chemicals. For information on using the cleaning compounds, refer to the chemical manual.

Water Requirements

Hard water deposits will adversely affect the plumbing and heat exchange systems on this unit. The map below will give you an idea of where areas of high water hardness may occur. However, any water supply obtained from a well is almost always hard water and a water softener will be needed to protect your equipment.

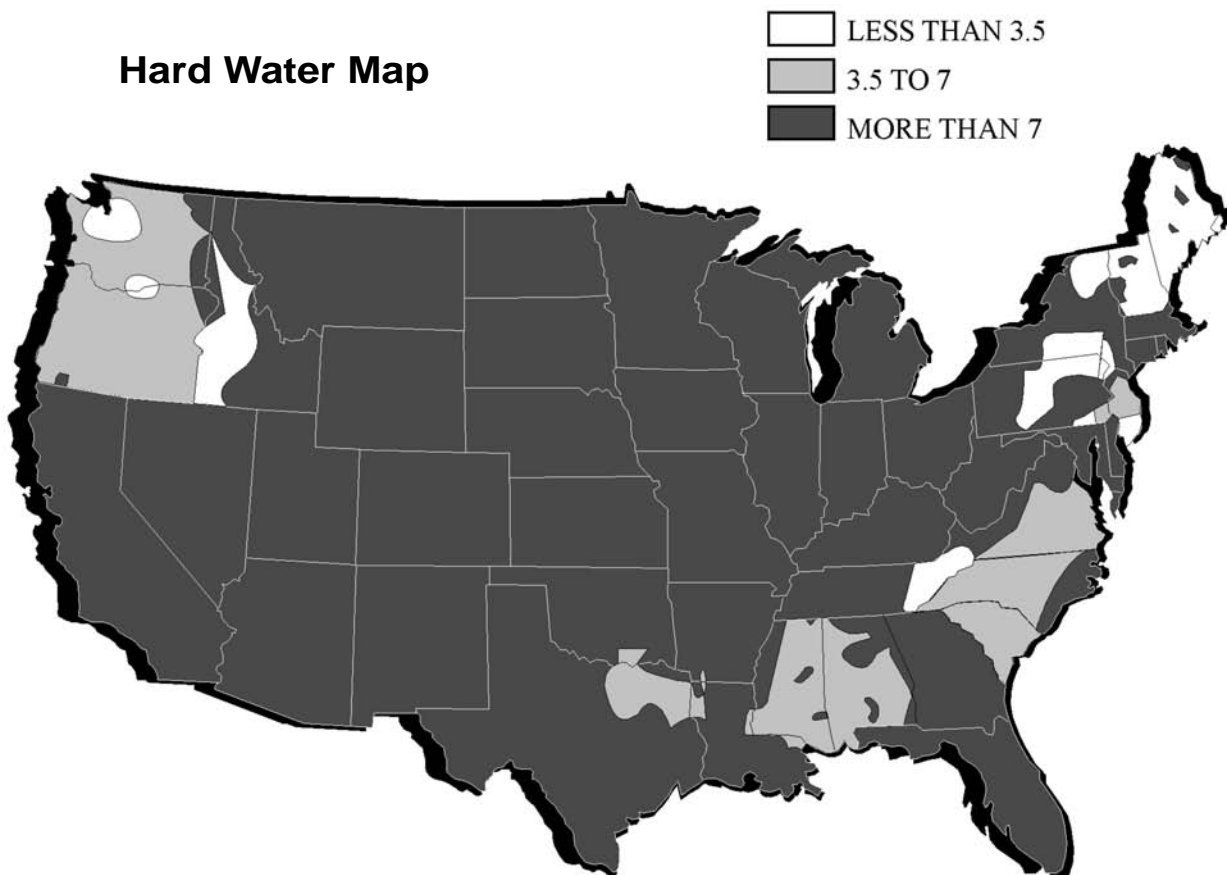
NOTE: *Equipment malfunction or component failure caused by hard water scaling is NOT covered under the warranty.*

If you are operating this unit in an area where the unit will be using water in which the hardness exceeds 3-1/2 grains, we highly recommend a suitable water softener be installed. If using a water softener, it must have a five (5) GPM (or greater) flow capacity without any hose constrictions.

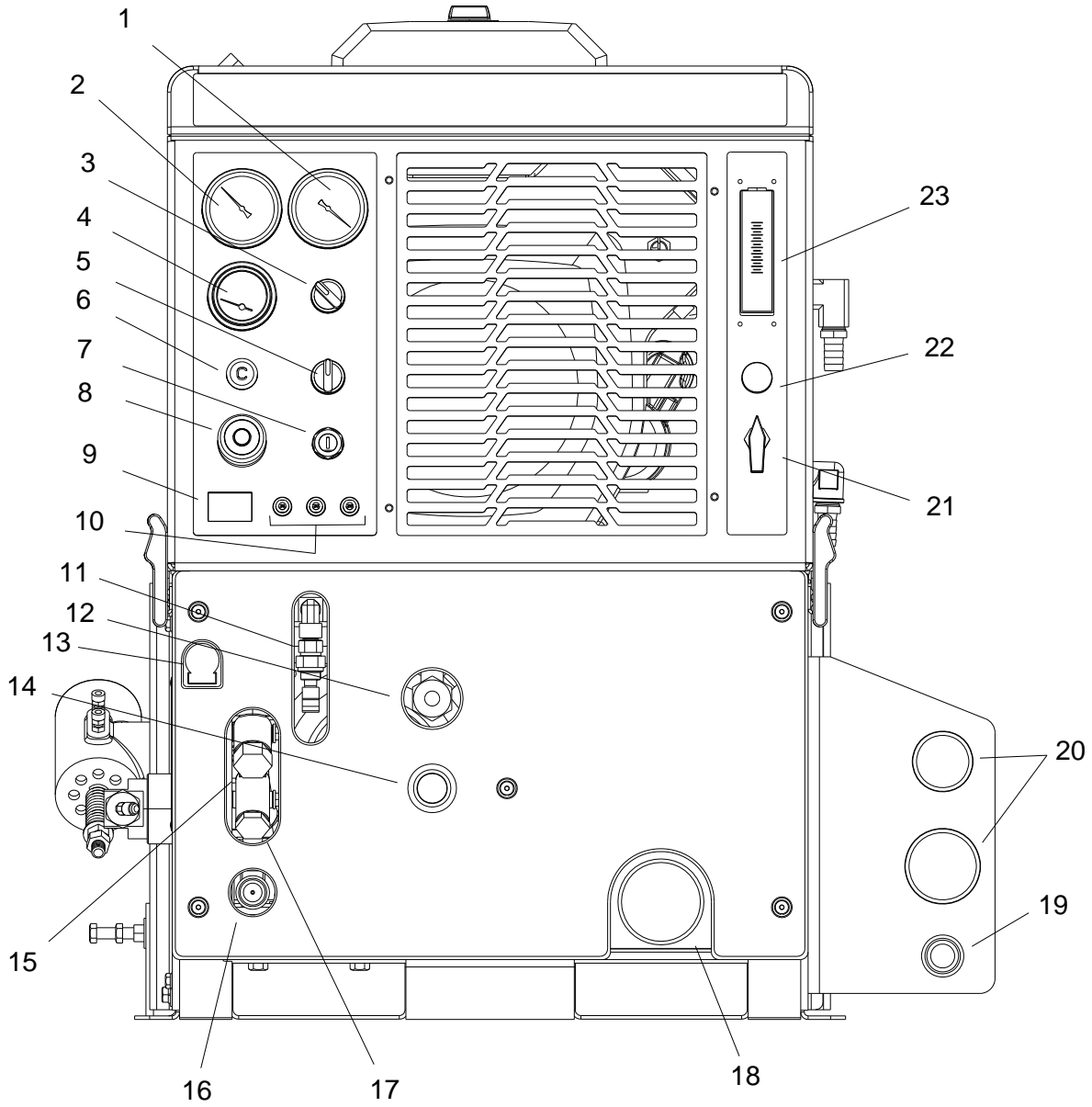
Using a water softener will reduce maintenance and decrease down time caused by hard water scaling. It will also allow cleaning chemicals to be more effective in lower concentrations.

If you require a water softener, your dealer has a model to meet your needs. Please contact your nearest distributor for information, price, and availability.

Hard Water Map



Components



Components

1. VACUUM GAUGE

This gauge indicates in inches of mercury how much vacuum the system is producing at any given time.

2. SOLUTION PRESSURE GAUGE

This gauge registers the amount of pressure in the system.

3. WASTE PUMPOUT (OPTIONAL)

This switch actuates the optional waste pumpout.

4. SOLUTION TEMP GAUGE

This gauge measures the temperature of the cleaning solution exiting the machine.

5. SOLUTION PUMP SWITCH

This switch serves to energize the magnetic clutch, to turn the pump on and off. Turn clockwise to activate the pump and counter clockwise for deactivating the pump.

6. CHOKE

The choke is for restricting air to the carburetor, this enriches the fuel mixture. The primary purpose is for starting in cold temperatures. When the cable is pulled out air is restricted, when pushed in the engine is in run position.

WARNING: Do NOT run engine with choke pulled out.

7. IGNITION SWITCH

The key switch controls the power for the machine. To turn the machine on, rotate the key clockwise while holding solution pump switch to override position until the starter engages the engine. When machine is running let off the switch and engine will continue to run. To turn power off, rotate key counter clockwise to stop position, engine will then stop.

8. THROTTLE

The throttle cable is used to set the speed of the engine (rpm). The engine speed (rpm) may be increased by releasing the collar lock, pushing in the red button on the end of the handle, and pulling the handle straight out. Engine speed may be changed in smaller increments by rotating the throttle handle clockwise or counter-clockwise. The collar lock can be tightened to prevent the throttle from slipping and changing the engine speed.

9. HOUR METER

The hour meter records the number of hours the unit has run. This serves as a time recorder for servicing the machine.

10. CIRCUIT BREAKERS

These serve to protect the circuits from electrical spikes and over loads and protects wires from damage.

11. TEMPERATURE BALANCE ORIFICE

The temperature balance orifice helps to balance and stabilize the solution temperature within the system.

12. SOLUTION PRESSURE REGULATOR

The pressure regulator sets the pressure of the solution system. This spring loaded valve can be adjusted up or down setting the pressure of the unit. The pressure is increased by turning the valve clockwise, or reduced by turning the valve counter clockwise. (This valve must be maintained in accordance with this manual's maintenance table.)

13. LUBRICATION CUP

The lubrication cup allows lubricant spray to reach the vacuum blower.

14. TEMPERATURE CONTROL VALVE

This valve allows the operator to control the solution temperature by bypassing hot water to the waste tank, for low temperature cleaning such as upholstery. Turning the valve counter clockwise opens the valve. Turning clockwise closes the valve and has the effect of stopping water from bypassing.

15. CHEMICAL CHECK VALVE

The chemical check valve allows chemicals to enter the system and travel in a singular direction to the wand. The chemical check valve prevents chemicals from traveling upstream into the solution system of the unit.

16. SOLUTION OUTLET

The solution outlet is the connecting point for the high pressure cleaning hoses. This outlet has a quick disconnect that allows hoses to be plugged into the unit.

17. SOLUTION SCREEN

The solution screen is located on the front of the machine. The function of this screen is to trap foreign particles from exiting the machine and plugging the orifices of the cleaning tool.

18. EXHAUST

Exhaust fumes contain carbon monoxide which is an odorless and deadly poison that can cause severe injury or fatality. DO NOT run this unit in an enclosed area. DO NOT operate this unit where the exhaust may enter any building doorway, window, vent, or opening of any type.

19. WATER INLET

This quick connect allows the water supply hose to be connected to the unit.

20. VACUUM INLETS

The vacuum inlets serve as the connecting points for vacuum hoses.

21. CHEMICAL CONTROL VALVE (PRIME POSITION)

This valve allows the chemical to circulate through the chemical system with little or no restriction. It also purges out air that may be trapped in the lines and cavities of the chemical pump. By turning the valve clockwise the injection system is enabled.

22. CHEMICAL METERING VALVE (CHEMICAL CONTROL VALVE IN RUN)

The chemical metering valve regulates the amount of chemical that is injected into the system. Clockwise rotation of the knob closes the valve. Counter clockwise rotation opens the valve, allowing more chemical to enter the system.

23. FLOW METER

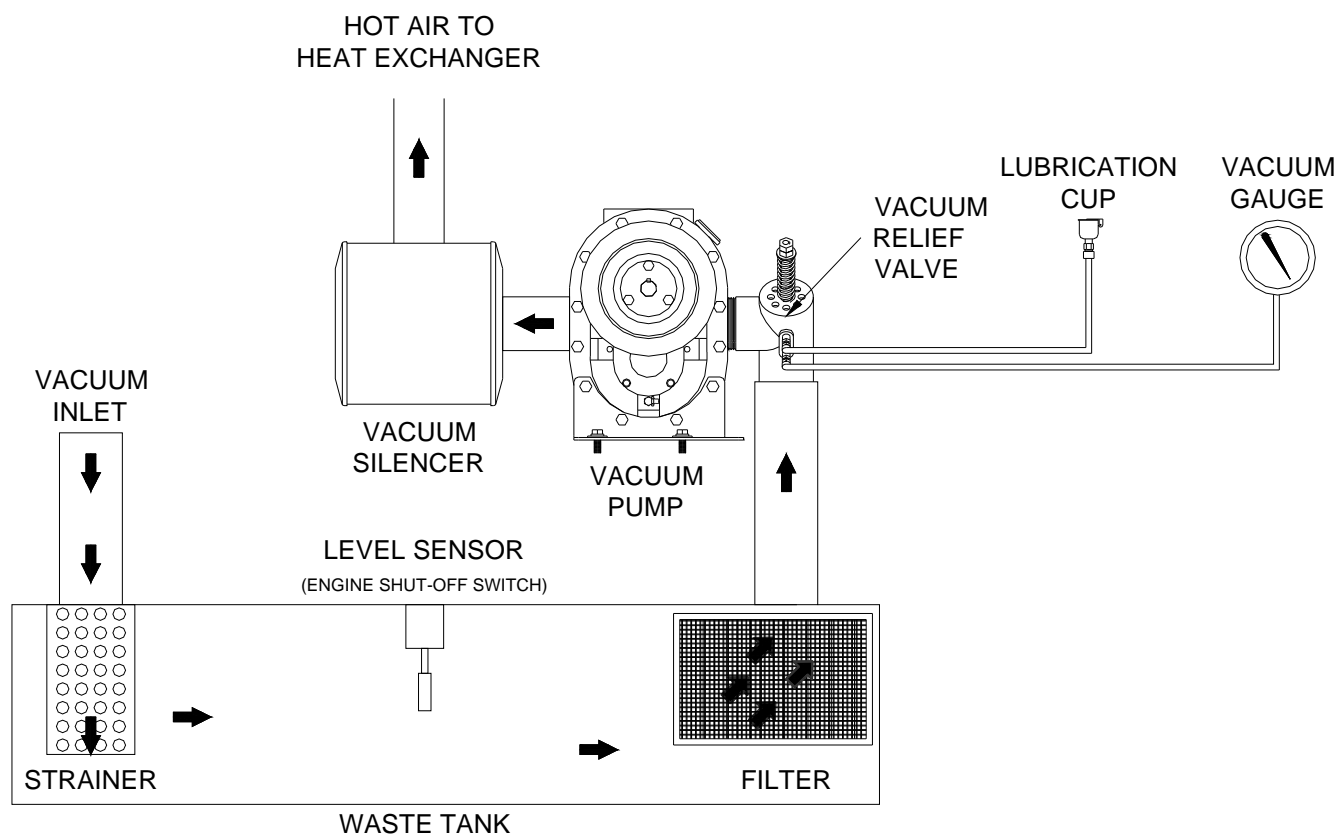
The flow meter is a gauge to indicate how much liquid chemical is being introduced in the water system. The quantity can be increased by turning the chemical flow knob counter clockwise.

Vacuum System

The engine turning an air pump (vacuum pump) generates vacuum. The air is channeled in one side of the vacuum pump, compressed and discharged on the opposite side, creating airflow. This airflow is used to do the work necessary for the extraction process. A vacuum nozzle applied to the carpet surface removes moisture, dirt and spent chemicals. These elements are conveyed back to a separating tank utilizing hoses and the force of air. Particles of moisture and dirt are separated in the vacuum tank using a series of changes in direction and velocity. The air is then filtered and rushes into the vacuum pump.

The vacuum pump also heats incoming air as it is compressed. The hot discharged air is forced down stream into a silencer for noise abatement. Exiting the silencer, this hot air is forced through the heat exchanger.

The vacuum pump speed is factory set to maximize vacuum pressure and provide sustained system life. Do not alter the vacuum speed outside the recommended range shown in the Technical Specifications section.



⚠ WARNING:

Always wear hearing protection and proper personal protection equipment when operating unit.

Water Pumping and Heat Transfer System

Cold water enters the console through the water inlet. When the water box is full the valve will automatically shut off.

Water flows from the water box, into the solution pump where it is pumped to the pressure regulator manifold which provides and maintains the desired pressure setting.

The pressure regulator manifold includes a pulse hose, which helps reduce pressure spikes from the pump.

A certain amount of water is by-passed from the pressure regulator due to an over pumping capacity of the solution pump. Water that is not called for in the cleaning process is channeled through the copper bypass radiator core in the front of the heat exchanger. This bypass water may circulate several times through the bypass heat exchanger core allowing the water to be pre-warmed.

The gases coming from the vacuum pump and the engine are forced through middle and rear heater cores creating the hottest area of the heater box, increasing the heat transfer to the circulating water.

The hot water passes to the solution outlet manifold where cleaning chemicals are injected from the chemical pulse pump. This manifold serves as a connecting point for the high-pressure hoses. Also a check valve is located in this outlet manifold prohibiting chemicals from backing up into the system.

The cleaning solution then passes through high-pressure hoses and is distributed by the cleaning tool to a surface that is being cleaned, completing the water pumping and heating cycle of the cleaning unit.

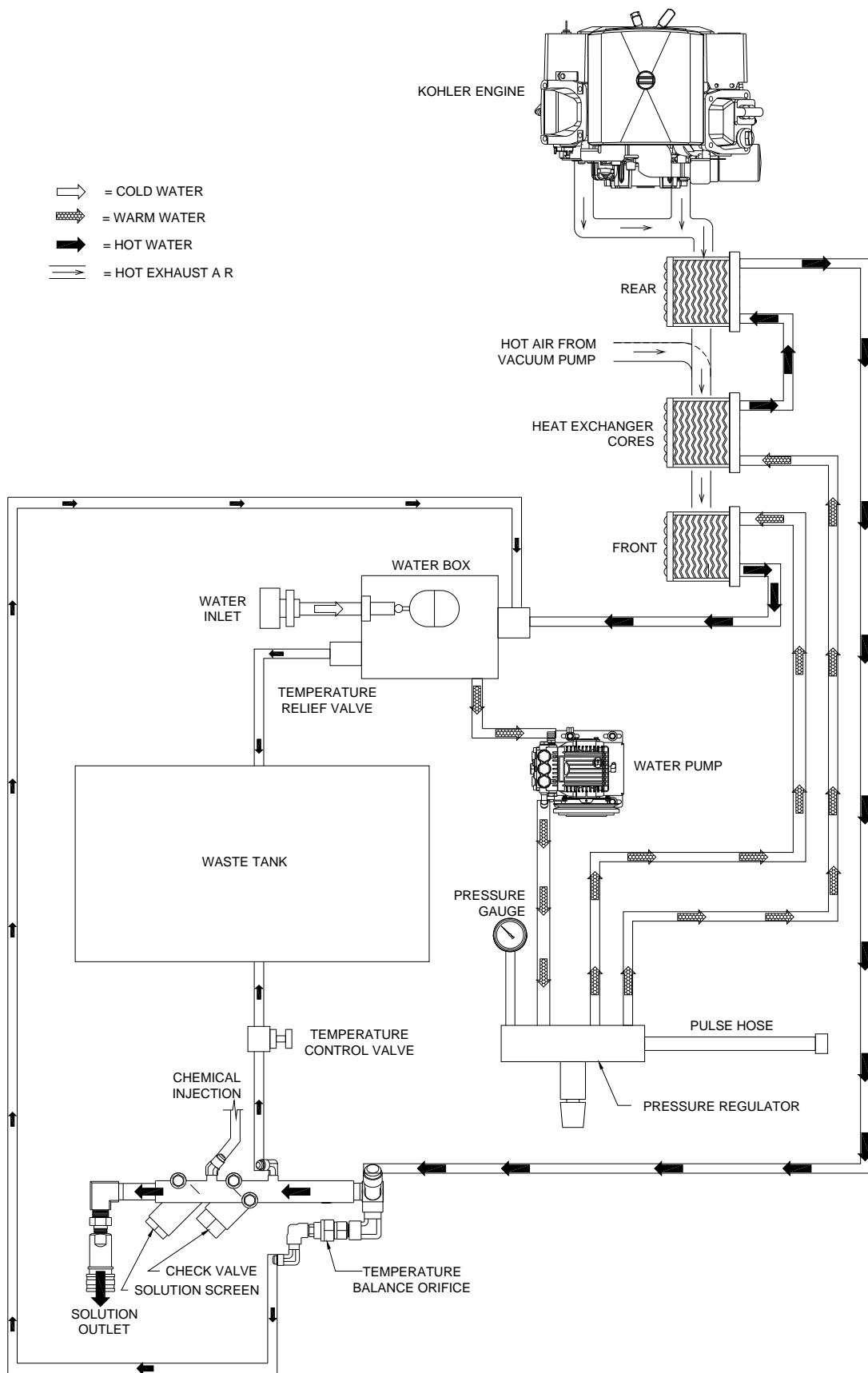
Heat Exchanger

The water temperature in the plumbing system is raised for better cleaning. This happens in the heat exchanger. The heat exchanger is made up of three stages. These three stages are engine exhaust stage, the mixing stage, and the pre-warming stage.

The angled rear heat exchanger core receives its heat only from the engine exhaust gases. This core becomes extremely hot and should not be touched while the machine is in operation. Allow the machine to cool down completely before attempting to service this area.

The middle core receives its heat from the mixing of both the engine exhaust and the vacuum pump exhaust. The vacuum pump heats incoming air as it is compressed. This hot air is mixed with the hot engine exhaust gases exiting the angled rear core. This mixture of hot air and gases is then forced through the middle core and on through the front heat exchanger core.

The front core continues to extract heat from the mixed gases; but, this heat is used to pre-heat the water box as a preliminary hot water reservoir.



Chemical Injection System

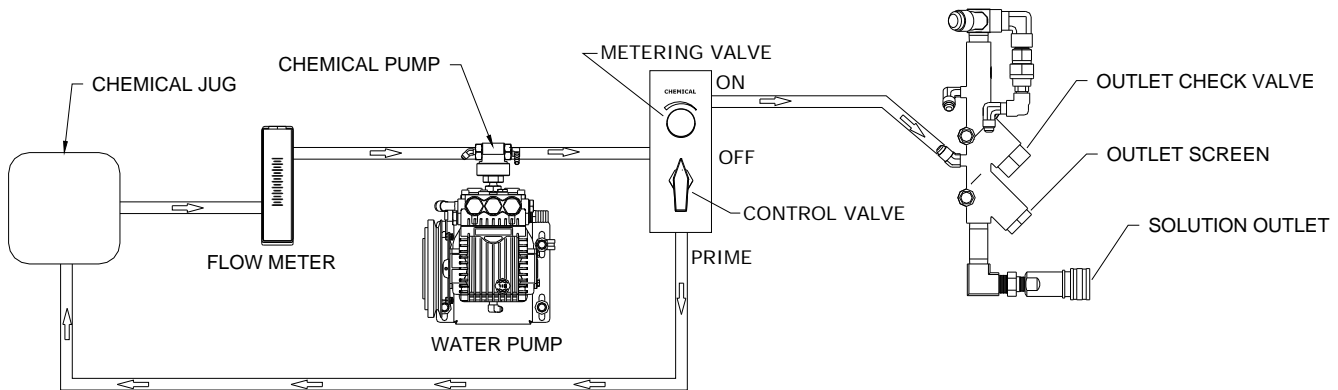
The chemical injection system is unique in that it utilizes the pressure spikes generated by the high-pressure water pump to move chemical into the main pressure stream. The high pressure spikes move the diaphragm in the chemical pulse pump forcing small amounts of liquid chemical to be moved in a single direction of flow with the aid of two check valves.

The chemical is sucked up from the container and fed through the flow meter to the chemical pulse pump where it is pressurized.

After being pressurized by the chemical pulse pump the chemicals are fed to the control valve which directs the chemical either into a bypass loop to purge air from the system or in to the solution metering valve.

The metering valve creates an orifice allowing the correct amount of chemical to enter the outlet manifold. The outlet manifold assembly is complete with a check valve that will not allow the chemicals to travel upstream into the plumbing system of the unit.

The chemicals are then mixed with hot pressurized water that make up a solution for the chosen cleaning application.



Pre-Run Inspection

! WARNING:

Operate this unit and equipment only in a well-ventilated area. Exhaust fumes contain carbon monoxide, which is an odorless and deadly poison that can cause severe injury or fatality. **DO NOT** operate this unit where the exhaust may enter any building doorway, window, vent, or opening of any type.

Check For Adequate Fuel

Check the fuel tank to be certain there is adequate fuel to complete the job. This unit uses approximately .75 - 1.00 gallons of fuel per hour, depending on the speed setting.

Remove Tools From Vehicle

Remove any tools or hoses from the van, which you will require.

Water Supply Connection

NOTE: Before connecting your water hose to the supply faucet, flush out the faucet until the water is free of any debris. Flush out any debris which may be in your water inlet hose.

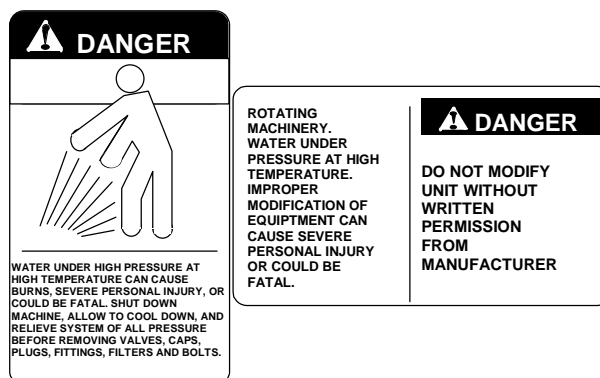
1. Connect the water supply hose to the side panel water inlet quick-connect on the right front of the console. Connect the hose to the water supply faucet.

NOTE: *Never use your waste pump outlet hose as a water inlet hose. Use only clean hoses for water inlet.*

2. Turn the water supply faucet on. The water will fill the water box.

High Pressure Hose

Before starting the unit, connect the solution pressure hose to the outlet connection at the front of the unit. Connect the cleaning tool to the pressure hose.



Vacuum Hose

Connect the vacuum hose to the vacuum inlet connection at the front of the unit. Connect the other end of the vacuum hose to the cleaning tool.

Filters

Ensure all filters on machine and in waste tank are free of debris.

Priming The Chemical Pump

1. Connect water hose to water inlet connection and turn on water supply.
2. Connect cleaning and vacuum hoses to the desired cleaning tool and console.
3. Insert chemical inlet and prime tubing into chemical container.
4. Pull out engine choke, turn solution pump switch to override and turn ignition key to start.
5. Push in engine choke after engine has started.
6. Set throttle to idle speed.
7. Turn on water pump.
8. Fill chemical container and inspect chemical filter.
9. Turn chemical control valve to prime and allow chemical to circulate.
10. After all air bubbles have been removed from chemical tubing, turn the valve to the horizontal (off) position and open the chemical metering valve, triggering the solution flow on the cleaning tool.
11. Set the desired chemical flow rate while observing the flow meter indicator.
12. Set throttle to maximum position with vacuum port blocked off for quick unit heat up.

Waste Pump (Optional)

1. If your unit is equipped with an automatic waste pump, connect one end of a garden hose to the pump-out connection on the console and the other end to an appropriate waste disposal.
2. Turn the pump-out switch on the control panel to the ON position. The waste pump will operate automatically throughout the cleaning operation.

We recommend that you use a 3/4" I.D. water hose as a waste pump outlet hose. DO NOT use a hose smaller than 5/8" I.D.

NEVER use your automatic waste pump outlet hose as a water inlet hose.

WARNING:

Always dispose of waste in accordance with Local, State, and Federal laws.

Once you have completed steps 1 through 8, proceed with the cleaning operation. Your unit should be in the correct throttle position for your cleaning operation or extracting. A float switch located inside the waste tank will automatically shut down the unit when it reaches its full capacity. When this occurs, empty the waste tank before continuing.

Cleaning

Observe the following guidelines, while cleaning:

1. Before proceeding make sure the nozzles are functioning properly.
 - a. To check, hold the wand about one foot above the surface to be cleaned and open the wand valve. A full spray should be observed from the cleaning nozzles.
 - b. If the nozzles are not showing a full spray pattern, adjust nozzles for proper pattern, clean, or replace nozzles, if required.
2. Normally chemical is applied on the push stroke of the wand when cleaning and vacuuming is done on the pull stroke. For heavily soiled carpets the wand may be used in a scrubbing manner, apply chemical in both push and pull strokes. Always finish up an area with a vacuum stroke.
3. When cleaning, keep the working opening (mouth) flat on the surface being cleaned. Keep the wand moving when the valve is open.
4. The unit will automatically shut-down when the waste tank is full. This will prevent water being drawn into the vacuum pump. If shut-down occurs, empty the waste tank before proceeding.

Upholstery Cleaning

Upholstery tool, part #86285260, PRV NO. 78513

1. Set temperature as desired and slow down the engine speed to minimize excess heat.
2. Use one (1) "86229980, PRV NO. 80015" spray tip in tool.

Shutdown And Daily Maintenance

1. Close chemical metering valve.
2. Allow the unit to run for 2 minutes with the vacuum hose disconnected to remove moisture. Spray water displacing lubricant into the vacuum lubrication cup and cover the vacuum inlet to draw the water displacing lubricant into the blower. This will prevent corrosion due to moisture.
3. Set engine throttle at idle position and allow the water temperature to cool down, utilizing the temperature control valve in the open position to bleed off residual hot water left in the system.
4. Close temperature control valve and turn off ignition switch.
5. Disconnect all hoses and tools.
6. Drain waste tank and rinse with clean water.

De-Flooding Operations

De-flooding operations involve removal of water from carpet and flooring. This differs from normal cleaning operations in that no water or solution is required. An automatic waste pump-out is highly recommended for all de-flooding operations due to the large amount of water removal often required.

1. Start unit.
2. Set pressure regulator at 100 psi.
3. Shut off water pump.
4. Begin de-flooding operations.
5. Under almost all conditions, the unit will sufficiently cool itself. If you find yourself operating in extreme heat: Hook up a water supply; turn on the water pump at 100 psi, and crack the temperature control valve slightly to provide additional cooling.

Freezing Protection



If the unit is exposed to freezing weather the water in the unit may freeze, causing SERIOUS DAMAGE to the unit. To avoid this, the following is recommended during the cold weather season.

When the unit is not in use, always park it in a heated building.

While in operation, avoid long shutdowns as the unit provides heat while running. Shut it down just prior to leaving for the next job.

If a heated building is not available, we recommend that you winterize the unit with anti-freeze. At present, it is only possible to winterize units, which do not have an auxiliary water tank. Units with auxiliary water tanks must be stored in a heated building when not in use.

Overheating Protection

Air cooled engines rely on the flow of air over the engine for cooling operations. Ensure that there is sufficient air flow in the van. Never operate the unit with all the vehicle doors closed and no alternative ventilation system.

This unit must be operated with the vehicle or trailer doors open in order to ensure adequate engine ventilation.

Winterizing Your Unit

1. Shut off the water supply. Disconnect the water inlet hose from the front of your console.
2. Connect all high pressure hoses and tools that may have water in them.
3. Start the unit and turn solution pump on. Open the tool valve until water pressure drops and water stops flowing.
4. Turn off solution pump. Fill the water box with approximately two gallons of 100% glycol base anti-freeze.
5. Turn the solution pump switch ON.
6. Open the tool valve until anti-freeze begins to come out of the tool. Recover ALL anti-freeze that comes out of the tools into an approved container. We strongly recommend that you re-cycle and re-use the anti-freeze.

Repeat this procedure with all the remaining tools. After all tools and pressure hoses have been filled with anti-freeze, disconnect and store them.

7. Turn the solution pump switch OFF. Attach the winterizing loop hose with attachment, Part #86260700, PRV NO.10-805380, to the solution outlet connection and the water inlet connection. Turn the solution pump switch ON.

Allow the unit to run for approximately 3 minutes with the winterizing loop hose attached.

8. Open temperature control valve and allow anti-freeze to flow to waste tank.

9. Prime the chemical system with 50/50 anti-freeze/water mix. Insert the chemical inlet and prime discharge tubes into the anti-freeze container. Turn the chemical valve to PRIME until anti-freeze begins to flow out of the prime hose.
10. Turn the chemical valve to the open position, making certain that the flow meter indicates flow and that all anti-freeze drains out of the chemical hose into an approved container, after 30 seconds, turn off both valves.

WARNING:

When disposing of used anti-freeze, observe local laws and regulations. Do not drain onto the ground or into storm drainage systems.

Removing Anti-Freeze From the Unit

1. Connect one end of the winterizing loop hose to the solution outlet connection. Place the other end of the loop hose, without the attachment, into an approved container.
2. Start the unit. Turn on the solution pump. Allow the anti-freeze to flow into the container until flow stops.
3. Fill the water box with fresh water and repeat step #2.
4. Connect the water inlet hose to the water inlet connection on the console. Turn the water supply on.
5. Connect all solution hoses and any tools which require purging of anti-freeze to the solution outlet connection(s).
6. Open the tool valves and drain the anti-freeze into an approved container until the flow is clear and all anti-freeze is purged from the tools and hoses.

7. Place the chemical prime hose into the approved container. Submerge the chemical inlet hose in water. Turn the chemical valve to the PRIME position until clear water comes through the prime hose, and then remove the prime hose from the container.
8. Turn the chemical valve to the ON (CHEMICAL) position. This will allow water to flow into the other side of the system.

Once all of the anti-freeze is removed, the unit is ready to use.

Eventually, the anti-freeze in your storage container will become diluted with water. If the anti-freeze level drops below 50% of the total, dispose of it and start with fresh 100% anti-freeze.

WARNING:

When disposing of used anti-freeze, observe local laws and regulations. Do not drain onto the ground or into storm drainage systems.

Service Schedule

Engine	Daily	Check engine oil level. *** Fill to proper level
Vacuum Pump	Daily	Spray water displacing lubricant in lubrication cup at front of console for 5 sec.
Water Pump	Daily	Check oil level.** Fill to proper level
Solution Inlet Tube Strainer	Daily	Check strainer for blockage, remove any debris
Vacuum Inlet Filter (In Waste Tank)	Daily	Clean filter, inspect, replace if damaged
Vacuum Hoses	Daily	Wash out with clean water
Automatic Waste Pump	Daily	Inspect and remove any debris or sediment
Chemical Filter	Daily	Inspect daily
Vacuum Pump	Weekly*	Check oil level. Fill to proper level
Water Box Float Valve	Weekly	Check for proper seating and shut-off
Water Pump Inlet Filter	Weekly*	Check for debris and clean
Temperature Balance Orifice	Weekly	Remove, clean and check screen (as needed)
Battery	Weekly*	Check for proper fluid level. Fill with distilled water only
Solution Outlet Screen	Weekly*	Inspect and remove any debris or blockage
High Pressure Hoses	25 hrs	Inspect for damage or impending damage
Pressure Regulator	50 hrs	Lubricate o-rings
Pressure Regulator	50 hrs	Lubricate plug behind spring
Engine	100 hrs	Change engine oil***
Engine	100 hrs	Check fan belt tightness
Battery	100 hrs*	Clean battery terminals
Belts/Pulleys	100 hrs	Check belt wear and tension. Check pulley alignment.
Automatic Waste Pumpout	100 hrs	Clean inlet and outlet ports
Float Valve Seal	200 hrs.	Replace seal
Engine	200 hrs	Service air cleaner elements*
Fuel Pump	200 hrs	Check hose connections
Engine	200 hrs	Change oil filter***
Engine	200 hrs	Replace fuel filter (carbureted engines)
Engine	200 hrs	Check spark plugs for carbon deposits and proper gap
Chemical Valves	200 hrs	Inspect and/or adjust packing nuts
Temperature Control Valve	200 hrs	Inspect and/or adjust packing nuts

Service Schedule

Vacuum pump	250 hrs	Lubricate bearing end with grease
Vacuum Exhaust Heat Exchanger	500 hrs	Inspect cores and remove debris.
Water Pump	500 hrs	Change oil**
Pulley Set Screws & Hub Cap Screws, Water Pump Clutch Shaft Bolts	500 hrs	Check for proper torque valves. Re-torque, if required****
Drive Pulley	500 hrs	Inspect, clean and check for pulley groove wear****
Drive Pulley	500 hrs	Check pulley alignment****
Drive Belts	500 hrs	Inspect and clean****
Drive Belts	500 hrs	Check belt tension****
Vacuum Lubrication Lines	500 hrs	Check for line obstructions. Replace tubing if cracked or damaged
Engine	500 hrs	Replace in-line fuel filter on engine.
Heater Core	500 hrs	Clean and inspect.
Engine	1000 hrs	Replace spark plugs.
Chemical Pump & Check Valves	1000 hrs	Replace diaphragm and check valves.
Check Valve (Solution Outlet)	1000 hrs	Inspect, clean, and repair, if needed.
Waste Tank Shut-off Float Switch	Monthly	Check for debris hindering movement
Vacuum pump	Yearly	Drain, flush and replace oil*****
Waste Tank Filters/Strainers	Yearly	Check for damage and blockage. Replace if needed.
Engine	Yearly	Replace air cleaner element
Engine	3 years	Replace ignition wires.

* Or as often as required

** Change water pump crankcase oil after the first 50 hours

***Change engine crankcase oil and filter after the first 50 hours

****Perform drive belt, pulley and hub maintenance after the first 25 hours of operation, and then again at 100 hours

*****If using AEON PD synthetic lubricant, 4500 hours or every 2 years, whichever comes first

Key Checkpoints

NOTE: *Initiation of a planned preventative maintenance program will assure that your unit has optimum performance, a long operating life, and a minimal amount of "down" time.*

External Fuel Pump Maintenance

The power plant for the unit receives fuel from the main gas tank of your van/truck. An external fuel pump that provides this fuel is located on the underside of the van/truck. Loose fittings and hose connections will cause your unit to perform poorly. Follow the recommended fuel pump maintenance in the Maintenance Schedule in this manual. Refer any additional questions to your dealer.

Chemical Supply System Maintenance

The chemical supply system pulls chemicals from your chemical bottle utilizing a pump that works off the water pump pulsing. Any clogged filters or loose connections will result in a chemical supply system malfunction or a malfunction at the cleaning tool. Maintenance of the solution outlet check valve and screen are vital to effective cleaning operation and minimal unit downtime. Additionally, the hoses related to supplying water and chemical to the outlet manifold are under high pressures and experience thermal expansion and contraction. Periodic inspections of these hoses for tears, cracks, and failing connectors are necessary to avoid unwanted leaks. To keep your chemical system functioning properly, follow the chemical pump and solution outlet maintenance in the Maintenance Schedule in this manual. Refer any additional questions to your dealer.

Heat Exchanger System Maintenance

The heat exchange system in your unit transfers energy between the unwanted heat of the power plant / vacuum pump and the solution supply system. The heat transfer of this system is highly dependent on the surface area contact in the heat exchanger cores located in the heat exchanger box. This surface area amount is adversely minimized when the supplied water is not softened to recommended levels. Hard water will result in scaling on the inside walls of the heat exchanger tubes. It is recommended that you use a dealer approved water softener to avoid premature heat exchanger core failure. Contact your local dealer for advice on the water hardness levels in your area.

Additionally, the heat exchanger tubes are very sensitive to freezing conditions. As the water freezes during cold conditions, it expands in the heat exchanger tubes and causes damage. Often the tubes are cracked and require the replacement of the heat exchanger core. Refer to the Freeze Protection instructions section in this manual. Refer any additional questions to your dealer.

Vacuum Pump Maintenance

(Refer to manufacturer's manual for specific maintenance instructions)

The total function of the unit is based around the performance of the vacuum pump. Heat transfer used to raise the temperature of the solution is gained from the air drawn by the vacuum pump and solution is removed from the carpet with the vacuum suction of the vacuum pump. General maintenance actions for the vacuum pump as listed in this manual are vital to prolonged vacuum pump operations. Daily lubrication of the pump is required to avoid seizure of the system. Also, waste tank filters and strainers must be maintained to prevent unwanted debris from entering the vacuum pump.

⚠ WARNING:

DO NOT service this unit while it is running. The high-speed mechanical parts as well as high temperature components may result in severe injury, severed limbs, or fatality.

NOTE: Use the hour meter as a guide for coordinating the maintenance schedule.

Engine

(Refer to manufacturer's manual (P/N 86269720, PRV NO. 67-945310) for specific maintenance instructions)

1. Change the break-in oil after the first 50 hours of operation. Thereafter, change oil every 100 hours of operation. **USE ONLY KOHLER BRAND OIL FILTERS (P/N 86186320, PRV NO. 42-902277). USING ANY OTHER TYPE OIL FILTER WILL VOID YOUR ENGINE WARRANTY.** Torque drain plug to 10 ft lbs.
2. Check the engine oil level **BEFORE EACH USE** as indicated in the Kohler Owner's Manual. Make certain that proper oil level is maintained, **NEVER** overfill.

Oil Recommendation. See "ENGINE OIL REQUIREMENTS" in Operations section.

NOTE: Using other than service class SG, SH, SJ or higher oil or extending oil change intervals longer than recommended can cause engine damage.

3. Check the spark plugs every 200 hours. Clean if necessary. Replace the spark plugs every 1000 hours. **NOTE:** Never sandblast spark plugs. Spark plugs should be cleaned by scraping or wire brushing.
4. Replace the air cleaner element every year.
5. Replace the in-line gas filter every 500 hrs..

NOTE: For additional engine service information, obtain a "Kohler Repair Manual" from any authorized Kohler Service Center. If service or repair is required, contact an authorized Kohler Service Center. You will need to provide the serial number of the engine.

Vacuum Pump

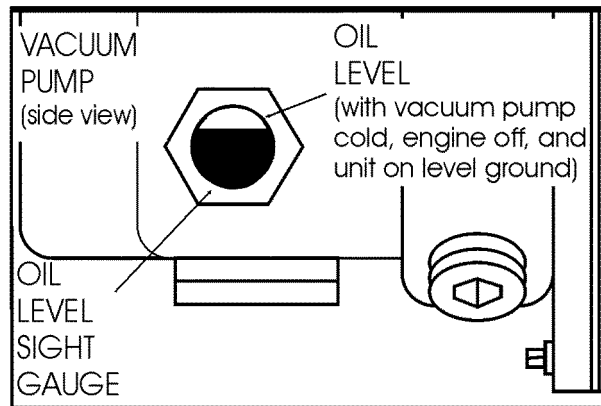
Refer to the Vacuum Pump Operation and Service Manual (P/N 86036610, PRV NO. 67-945307) for specific instructions.

Lubrication: We recommend that you use AEON PD Synthetic Blower Lubricant in the gear end of the vacuum pump for all operating temperatures. AEON PD is formulated especially for positive displacement blower service to provide maximum blower protection at any temperature. One filling of AEON PD will last a many times longer than a premium mineral oil.

NOTE: AEON PD (Part# 86189090, PRV NO. 05-008039) is the oil in the vacuum pump. Topping off or adding petroleum oil to synthetic oil is NOT recommended.

1. Check the oil level daily to assure the proper level. PROPER LEVEL cannot be overemphasized. Too little oil will ruin bearings and gears. Too much oil will cause overheating. Use the illustration as a guide when adding oil.
2. To prevent rust from building up inside the vacuum pump (if moisture exists) we have provided a lubrication cup on the front of the unit.

First run the unit at least 1 minute to remove any moisture from the vacuum pump. Next, fill the lubrication cup with water displacing lubricant, for 5 seconds while the unit is running and the vacuum inlets are sealed. Do this at the end of each working day.



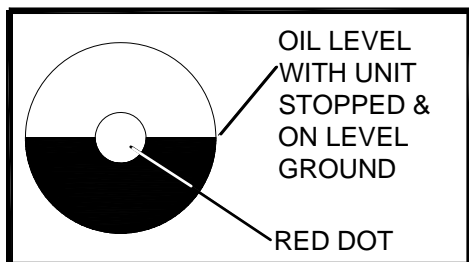
3. Drain, flush and replace oil every 1500 hours or yearly, whichever comes first. Change oil more frequently if inspection so indicates. With AEON PD synthetic lubricant, perform the oil change maintenance every 4500 hours or every 2 years, whichever comes first.
4. Vacuum pump lubrication is vital to performance of our pump. Failure to follow the maintenance schedule in the "Maintenance Schedule" can lead to permanent damage to your blower.

Refer to the Vacuum Pump Operation and Service Manual (P/N 86036610, PRV NO. 67-945307) for specific instructions.

5. Bearings on the drive end of the blower require grease lubrication every 250 hours of operation.

Water Pump

1. Check the crankcase oil level daily to assure the proper level. Use the illustration as a guide when checking the oil level. If the level has dropped, check for the source of leakage and repair.
2. Remove yellow filler cap with attached dipstick. Oil level should be between marks on the dipstick or use the sight glass located on the non-shaft side of the pump.



3. Change the crankcase oil with GP Pump Crankcase Oil, after the first 50 hours of operation. Drain and refill the crankcase oil with General Pump Crankcase Oil every 500 hours thereafter.

Vacuum Inlet Filter (in Waste Tank)

1. The vacuum filter in the waste tank should be removed and cleaned daily. If this is done, the filter will last for a long period of time.

Vacuum Relief Valve

While the unit is running at full RPM, block the airflow at the vacuum inlet connection and read the vacuum gauge. If adjustment is required, shut the unit down and adjust the vacuum relief valve locking nut tension. Start your unit and read the vacuum gauge. Repeat this process until the relief valve opens at 13" Hg.

Vacuum Pump Drive Belts

To tighten the vacuum pump belts:

1. Loosen the four nuts, which hold the vacuum pump mounts in place.
2. Turn the adjusting bolts until the proper belt tension is achieved (1/2" deflection in the center of the belt, halfway between the pulleys).

NOTE: When adjusting belt tension, make certain that the engine shaft and vacuum pump shaft remain parallel, and the belt tension is equal throughout the belt width.

3. After adjusting, re-tighten the four nuts, which hold the vacuum pump mounts in position. Check belt alignment with straight-edge.

⚠ CAUTION:

Make certain that when you re-torque these screws, that you use a clockwise pattern and continue until proper torque is achieved.

4. Check for pulley groove wear, clean belts and pulley grooves, check for worn belts, proper belt tension, and pulley alignment after the first 25 hours and then again at 100 hours.

Water Pump Drive Belt

To tighten the water pump belt:

1. Loosen the bolts, which hold the water pump mount to base.
2. Adjust the position of the belt tension adjusting bolt until the proper belt tension is achieved. (1/2" deflection in the center of the belt, halfway between the pulleys).
3. While checking the alignment, tighten the bolts, which hold the water pump mount to base.
4. Check belt and pulleys **every 100 hrs.**

Float Valve (Water Box)

1. Check the float valve weekly for proper operation. If overfilling is a problem, check the plunger for a proper seal. Replace tip on plunger (PN 86192380) if needed.

NOTE: *If the float ball has any water inside it must be replaced.*

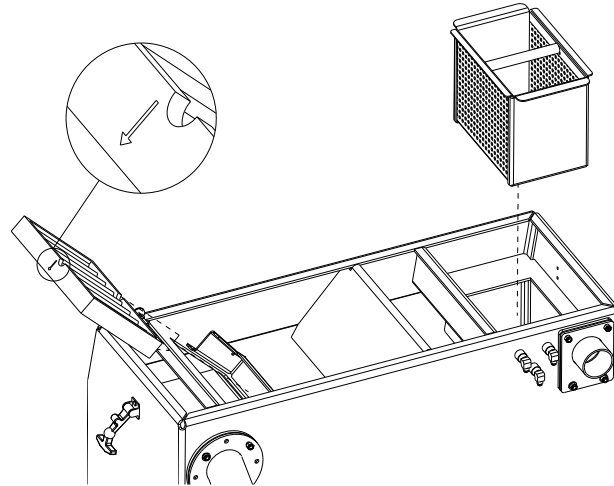
! CAUTION:

When replacing float ball, DO NOT over-tighten, as the rod can puncture the ball. Make sure to tighten the nuts on the rod.

2. Disassemble the valve and check the piston and seat for damage, replace if needed. See the "Illustrated Parts Listing" for a parts breakdown.

Waste Tank Strainer Basket

The strainer basket located inside the waste tank should be removed and cleaned whenever it is full of debris. This should be done at the end of each job.



Waste Tank Vacuum Inlet Filter

The Vacuum Inlet Filter located inside the waste tank should be removed, cleaned and inspected at the beginning of each day. When replacing in tank ensure that flow indicating arrow is pointing down.

Waste Tank Float Valve

The float valve in the waste tank shuts the unit down once the waste tank becomes full. Debris can collect around the hinge of the float valve. Check the float valve for debris at least once a month.

Solution Screen (Outlet)

Inspect the solution screen **after the first week** of running the unit by unscrewing the screen and remove any accumulated debris. Inspect the screen again at **2 and 4 weeks.**

The solution screen should then be inspected **every month.** However, if the screen has a frequent build-up of debris it should be inspected and cleaned more often.

Check Valve (Outlet)

Inspect the check valve when rebuilding the chemical pump or as needed. Remove and disassemble the check valve. Check the Teflon seat for debris or abnormal wear. Clean or replace seat if needed.

NOTE: *Improper seating of the check valve poppet, damaged spring, or o-rings will cause poor operation of the chemical system.*

For the procedure, see the "General Service Adjustments" section in this manual for details.

Chemical Pump

Rebuild the chemical pump **every 1000 hours**. This involves changing the diaphragm and check valves.

For the procedure, see the "Chemical Pump" section in this manual for details.

NOTE: *Inspect chemical filter daily.*

Chemical and Temperature Control Valves

Examine the packing nut on the chemical selector valve, temperature control valve, and chemical metering valve **every 200 hours**. Keeping these valve packings properly adjusted will eliminate possible leakage from the valve stems and add to overall valve life.

For the procedure, see the "General Service Adjustments" section in this manual for details.

Pressure Regulator

Lubricate the o-rings and bullet **every 50 hours**. Use o-ring lubricant Part #86265430, PRV NO. 05-008035.

For the procedure, see the "General Service Adjustments" section in this manual for details.

Vacuum Hoses

To assure maximum hose life, we recommend that the hoses be washed out with clean water at the end of each working day.

High Pressure Hoses

Inspect your high pressure hoses for wear after **the first 100 hours** of use. Inspect **every 25 hours** thereafter. If hoses show any signs of damage or impending rupture, replace the hose.



DO NOT attempt to repair high pressure hoses! Repairing high pressure hoses may result in severe burns and serious injury!

All high-pressure hoses must be rated for 3000 PSI at 250°F. Thermoplastic hoses do not meet these specifications and should not be used. Severe burns and injury may result if the hoses do not meet these requirements.

Optional Waste Pump-Out

At the end of each work day, make certain that you remove any debris or sediment which may be inside the waste pump by pumping fresh water through the pump.

General Service Adjustments

⚠ WARNING:

USE EXTREME CAUTION while servicing while machine is running. The high-speed mechanical parts as well as high temperature components may result in severe injury, severed limbs, or fatality.

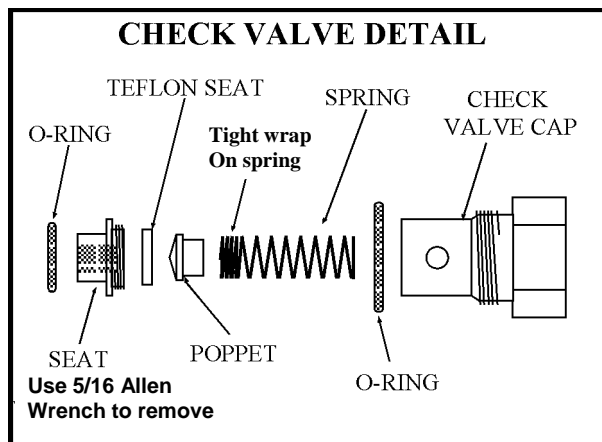
Engine Speed

This unit uses a factory installed Kohler engine governor. The engine speed is adjusted using the throttle control. Pushed in the engine is at idle speed (1400 rpm). With throttle control pulled out, engine operates at maximum rpm (2950).

Check Valve (Solution Outlet)

Inspect the check valve whenever doing service on the chemical pump or if flow problems occur in the chemical system:

1. Remove the check valve. Be sure the small o-ring for the seat comes out with the check valve.
2. Remove the seat, using a 5/16" Allen wrench.
3. Check the Teflon seat for debris or wear. Clean or replace Teflon seat if needed.
4. Clean the poppet and spring, inspect for wear or damage, and replace as needed.
5. Re-assemble the check valve. Start the seat by hand; tighten using a 5/16" Allen wrench. DO NOT over-tighten seat.



NOTE: Improper seating of the check valve poppet, damaged spring or o-rings will cause poor operation of the chemical system.

6. Lubricate the o-rings with o-ring lubricant Part # 86265430, PRV NO. 05-008035 and reinstall.

Water Box

1. Check inlet strainer for debris and blockage. A blocked strainer could damage the water pump if water flow is restricted.
2. Inspect water box float valve for freedom of movement and water leaking past valve.

Chemical Pump

The only repairs which the chemical pump may require, is the replacement of the diaphragm or check valves. To replace the diaphragm, unscrew the cover from the body. When replacing the diaphragm, lubricate the outer edges of the diaphragm with o-ring lubricant Part #86265430, PRV NO. 05-008035 and reassemble. To replace the check valves, unscrew the check valve caps. Replace the check valves and reassemble, using new o-rings.

DO NOT attempt to re-use o-rings once the check valves have been removed. See the "Illustrated Parts Listing" for a parts break-down on the chemical pump.

Drive Belts for Water Pump and Vacuum Pump

Use only exact replacement for system drive belts. Use only exact manufacturer and models for replacements.

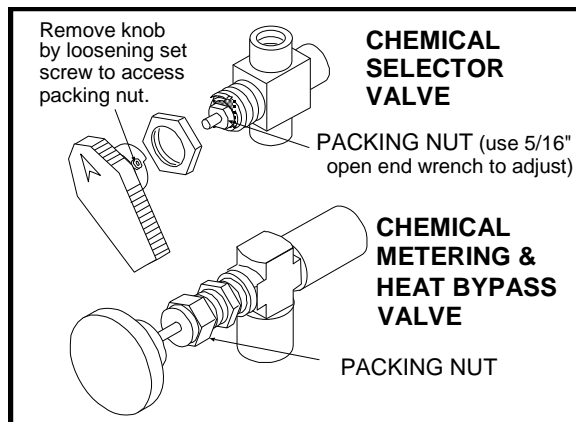
⚠ CAUTION:

Make certain that when you re-torque these screws, that you use a clockwise pattern and continue until proper torque is achieved.

Torque Value		
Component	Inch/lbs	Foot/lbs
Rear Engine Hub	300	25
Vacuum Pump Hub	300	25
Front Engine Pulley	108	9

Chemical Metering Bypass and Chemical Selector Valves

Examine the packing nut on the metering and selector valves for proper tension every 200 hours. When turning the knob, there should be a small amount of resistance. If not, slightly tighten the packing nut. DO NOT over-tighten. Keeping the valve packings properly adjusted will eliminate possible leakage from the valve stem and add to overall valve life.



Pressure Regulator

The pressure regulator serves to maintain water pressure at a preset point and to bypass this water back to the water box.

To adjust:

1. With your unit running, close the cleaning tool. Check the pressure gauge. Open the tool valve. We recommend setting the pressure regulator so that the pressure gauge reads 450 PSI with the tool valve open.

When the tool valve is opened, there is an approximate drop of 50 PSI in pressure. If there is a pressure drop greater than 100 PSI, it may be necessary to lubricate the o-ring in the pressure regulator.

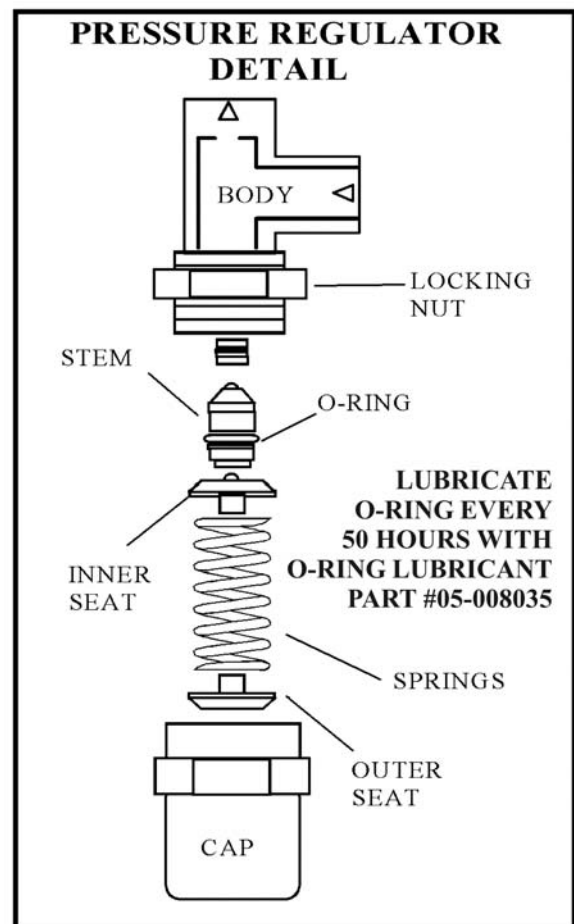
2. If the pressure regulator requires adjustment, loosen the locking nut, then turn the adjusting body (cap) (while observing the pressure gauge on the control panel) until the desired pressure is obtained. Retighten the locking nut.

⚠ WARNING:

DO NOT loosen the adjusting body (cap) all the way (counterclockwise) or remove it while the unit is running.

We recommend that you lubricate the pressure regulator o-ring every 50 hours, or whenever required. If you do not, the stem may become seized due to inadequate lubrication. If this occurs:

- a. Shutdown the unit.
- b. Relieve all pressure from the water system.
- c. Remove the cap from the pressure regulator and remove the stem with long nose pliers.
- d. Clean and lubricate stem.
- e. Reassemble pressure regulator.



TroubleShooting

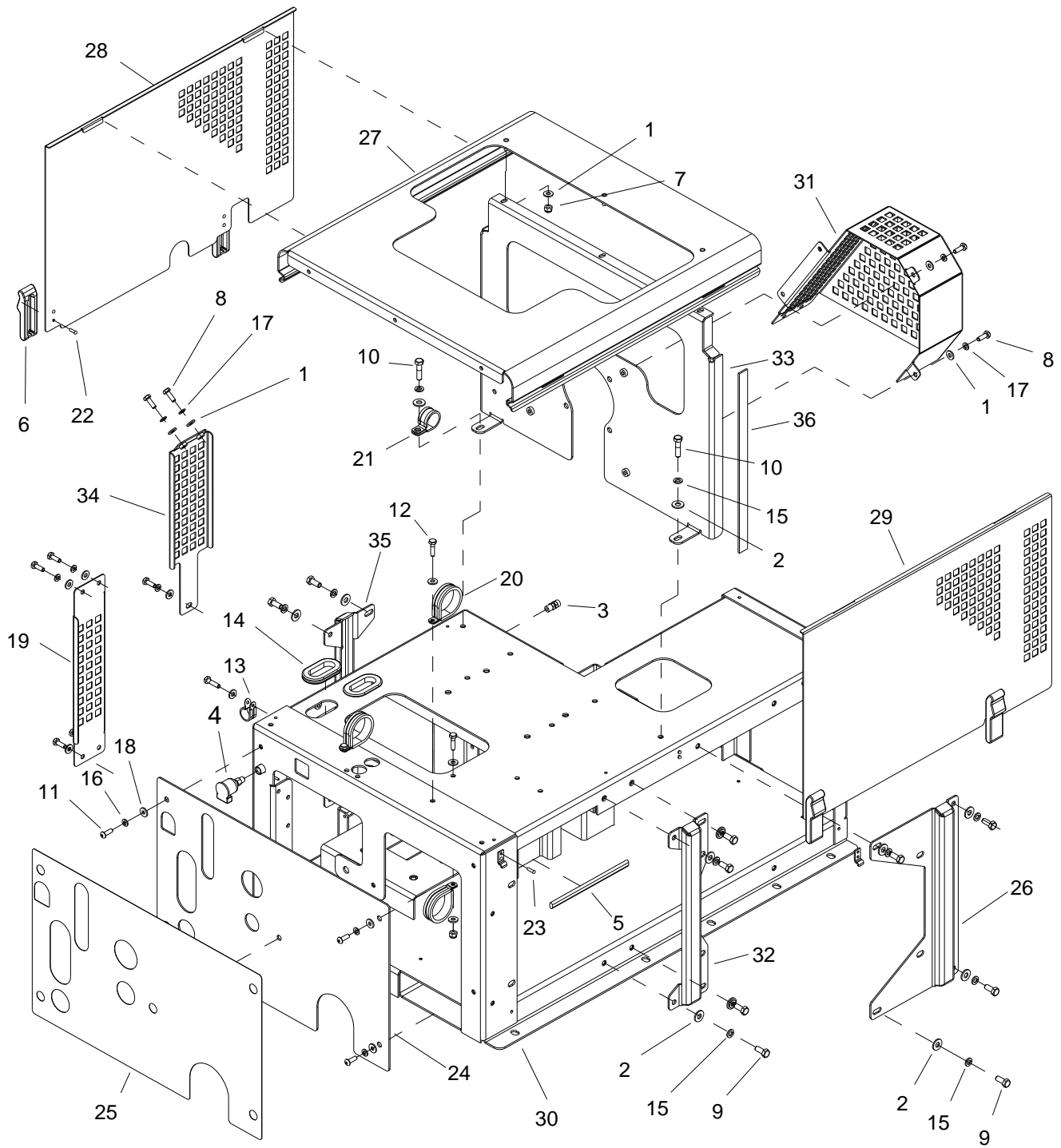
PROBLEM	CAUSE	SOLUTION
<p>Loss of solution pump pressure.</p> <p>With the cleaning tool open, the solution pressure gauge reads below the normal operating pressure.</p>	Water supply is turned off or the float valve is stuck or improperly adjusted.	Turn the water supply on or up. Check for kinks in the water supply hose. Examine the float valve and adjust or replace.
	Solution pump inlet supply line is plugged or drawing air.	Examine the water inlet filter inside the water box. Remove accumulated debris and replace if required. Check for suction leaks and loose clamps or fittings. Tighten any loose fittings or clamps. Replace any ruptured hose(s).
	Improper engine speed	Using a tachometer, check the engine speed. Full throttle engine speed is 2950 RPM. Idle engine speed is 1400 RPM. Refer to the "engine speed" section for instructions on how to re-adjust.
	Pressure regulator o-rings are dry.	Lubricate o-rings, using o-ring lubricant Part #86265430, PRV NO. 05-008035.
	Pressure regulator has worn o-rings	Check o-rings. If necessary, replace.
	Pressure regulator is dirty, stuck open, or improperly adjusted.	Clean or repair regulator. Adjust to working pressure. Lubricate o-rings, using o-ring lubricant Part #86265430, PRV NO. 05-008035.
	Low pump volume. (Measure the amount of water being returned to the water box from the pressure regulator. It should fill a gallon container about every 17 seconds).	Examine the check valves, plunger cups, and cylinder head on the water pump. Repair, whenever required (refer to the water pump service manual).
	Defective water pressure gauge.	Replace gauge
	Orifice (spray nozzle) in the cleaning tool is worn, defective, or wrong size.	Replace Nozzle or change nozzle size.
	Debris clogging water lines or water inlet disconnect.	Clean or replace as needed.
	Belts loose or broken	Re-tension or replace as needed.
	Loss of pump prime	Manually prime water pump.
Temperature Balance Orifice missing	Replace Orifice	
<p>Loss of solution volume at cleaning tool orifice.</p> <p>Solution pressure gauge reads normal.</p>	Plugged orifice and/or screen in the cleaning tool.	Unplug or replace orifice and/or screen
	Internal block between the pressure regulator manifold and the outlet manifold, or the solution screen is clogged	Inspect all lines, remove accumulated debris which is blocking proper flow. Replace any defective hoses. Remove, inspect, and clean the solution screen. De-scale unit and install a water softener, if necessary.
	Outlet check valve is plugged	Examine the check valve, remove any debris
	Defective quick-connect on one or more of the high pressure hoses.	Replace defective quick-connects(s) on high pressure hoses(s).
	Cleaning tool valve is malfunctioning.	Repair or replace valve.
	Hose inner lining is constricted.	Remove restriction or replace hose.
	Air leak in chemical supply line, priming valve or metering valve.	Check for air leaks. Replace faulty parts.

PROBLEM	CAUSE	SOLUTION
Loss of vacuum While cleaning, the vacuum is not up to specifi- cation. Engine RPM is normal.	Vacuum gauge is giving an improper reading.	Examine the tubing between the vacuum relief valve and the vacuum gauge and remove any blockage.
	Vacuum hose(s) is damaged, causing a suction leak.	Inspect hose(s), repair or replace.
	Waste tank gaskets not sealing properly, not positioned properly	Inspect the gasket. Repair seal or replace Re-position lid(s).
	Plugged vacuum hose or vacuum plumbing between vacuum inlet and strainer basket.	Unplug vacuum hose or inlet plumbing.
	Waste tank filter or strainer basket is plugged.	Clean or replace filter. Clean strainer basket.
	Loose vacuum pump drive belts.	Tighten the drive belts
	Waste tank drain valve is damaged or left open, causing a vacuum leak.	Drain the waste tank. Close drain valve, if open. Remove the dump valve and, after inspecting, replace the defective components.
	Vacuum relief valve requires adjustment or has a vacuum leak due to damaged diaphragm.	Re-adjust the vacuum relief valve. If the vacuum does not increase, remove and inspect the relief valve diaphragm. If damaged, replace
	Vacuum exhaust heat exchangers are plugged with lint.	Remove and clean.
	Vacuum pump is worn out.	Replace the vacuum pump.
Excessive Vacuum	Improper throttle adjustment.	Adjust throttle to set desired vacuum pressure.
	Vacuum obstruction	Inspect hoses for obstructions.
	Vacuum relief valve requires adjustment.	Readjust the vacuum relief valve.
Loss of chemical With the cleaning tool valve open, no chemical	Chemical pump is improperly primed.	Refer to chemical pump priming instructions.
	The strainer at the inlet end of the chemical inlet line is clogged	Unclog the strainer. If damaged, replace.
	Suction leak in the inlet line leading into the chemical pump.	Inspect inlet lines and flow meter for air leaks or damage and replace, if required.
	Chemical pump check valve(s) is clogged	Remove any debris from the chemical check valve(s). Replace chemical check valve(s) or seals, if necessary.
	Chemical prime/on-off valve or chemical metering valve is defective.	Replace valve(s).
	Chemical pump diaphragm is ruptured.	Disassemble the chemical pump and replace the damaged diaphragm.
	Defective cylinder in the water pump.	Measure the pump volume. If the pump volume is less than normal, refer to "Loss of Pump Volume" in the Troubleshooting section in this manual.

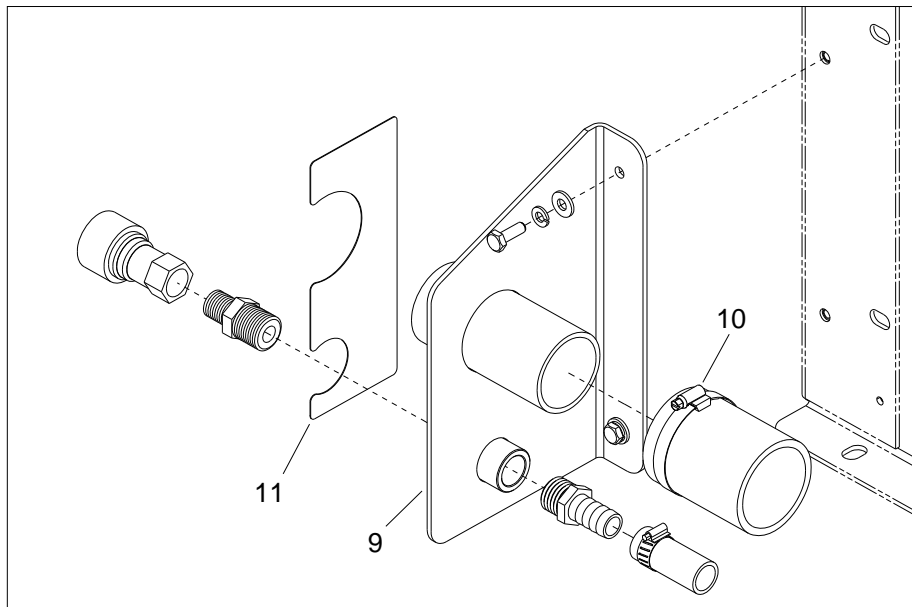
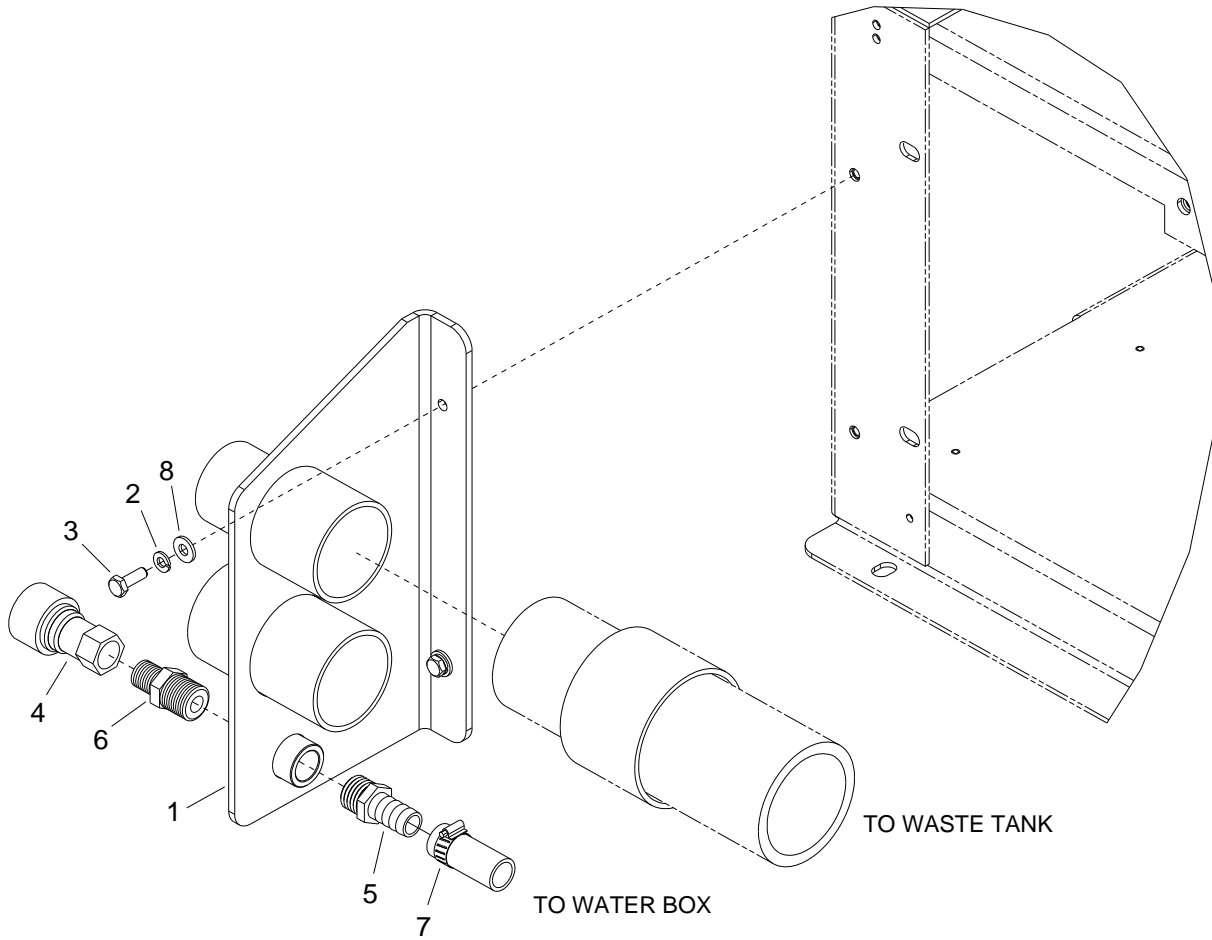
PROBLEM	CAUSE	SOLUTION
Chemical flow meter indicates flow with the tool valve closed	External leak in chemical piping	Tighten fittings. Re-apply thread sealant where required. If any fittings are damaged, replace.
	Outlet check valve is full of debris or damaged, not allowing it to close properly	Close the chemical valve on the instrument panel. If the flow meter does not indicate flow, remove debris or replace check valve, if necessary.
	Chemical pump diaphragm is ruptured	Close the chemical valve on the instrument panel. If the flow meter still indicates flow, replace the chemical pump diaphragm.
	Internal leak in chemical valve causing continual flow through prime tube returning to container.	Tighten valve packing nut (see "General Service Adjustments" section in this manual). Replace valve, if necessary.
Solution pump does not engage	Solution pump circuit breaker has been tripped	Check the solution pump circuit breaker on the control panel. Press the circuit breaker reset button.
	Defective electrical connection in the console wiring or defective switch.	Examine switch, electrical connections, and wiring. Repair any defective connections. If there is power going to the switch but not going out, replace the defective switch.
	Solution pump has not been activated	Turn solution pump switch to on.
	Defective solution pump clutch. NOTE: <i>The clutch may be manually engaged by inserting two 1/4-20 x 1/2 bolts. Line up the holes on the clutch and insert the bolts. To disengage the pump, remove the bolts.</i>	If there is power in the switch, but not power at the clutch, replace the defective wire. If there is power at the clutch, replace the defective switch.
Loose or broken solution pump belts.	Tighten or replace belts.	
Engine will not start The engine does not turn over	Main circuit breaker on the control panel has been tripped.	After inspecting the unit to determine the cause of the tripped circuit breaker, press the reset button.
	Loose or corroded battery.	Clean, tighten, or replace the battery terminals.
	Dead battery.	Recharge or replace battery.
	Defective ignition switch.	Test ignition switch for power going into the switch. If there is power going in but NO power going out, replace the switch.
	Defective starter motor.	Test the starter motor. If necessary replace.
	Vacuum pump seized.	Refer to Gardner Denver Service & Repair Manual.
Starter turns over engine, but will not start	Waste tank is full.	Empty the waste tank.
	Defective fuel pump.	Replace the fuel pump.
	Loose or broken wires leading to waste tank float switch.	Repair or replace any broken electrical connections.
	Defective float switch in the waste tank.	Check switch for proper operation, replace as necessary.
	Oil pressure switch (located on engine), fuel shut-off solenoid (located on engine).	Test these components. If any are defective, replace. Consult the Kohler Engine Operation and Maintenance Manual.

PROBLEM	CAUSE	SOLUTION
Starter turns over engine, but will not start	Engine is malfunctioning	Refer to Kohler Engine Operation and Maintenance Manual.
Engine stops running- While doing normal cleaning, the engine stops running	Engine is out of gasoline	Add gasoline to the fuel tank.
	Waste tank is full	Empty waste tank.
	Main circuit breaker on the control panel has been tripped.	After inspecting the unit to determine the cause of the tripped circuit breaker, press the reset button.
	Engine coolant temperature has exceeded 240°F, triggering the high temperature switch to shut the unit down.	Determine the cause of the overheating before restarting the unit. Refer to the Kohler Engine Operation and Maintenance Manual.
	Defective fuel pump.	Replace fuel pump.
	Defective float switch inside the waste tank.	Check switch for proper operation. Replace as necessary.
	Oil pressure gauge on engine has shut down, due to insufficient oil pressure.	Refer to the Kohler Engine Operation and Maintenance Manual. DO NOT restart the engine until the cause is determined and corrected.
	No ignition in the engine or engine is malfunctioning.	Refer to the Kohler Engine Operation and Maintenance Manual.
Excessive heating	Flow restriction caused by hard water scaling.	Descale unit, repair or replace damaged plumbing components as necessary. Install water softener.
	Not enough water flow.	Check jet size of tool.
Heat exchanger leaks NOTE: <i>The heat exchanger will produce water condensation discharge at times during normal operation. DO NOT confuse this with a leak.</i>	Engine/vacuum exhaust heat exchangers are damaged from frozen water.	Inspect heat exchangers for leaks. Visually inspect for damage. Pressure check after removing from the unit. (Maximum test pressure 1200 PSI).
Loss of temperature The heat output of the unit is LESS than normal.	Temperature relief valve on water box is stuck open.	Clean temperature relief valve and test. Replace, if necessary.
	Engine RPM is low.	Reset engine RPM.
	Defective temperature gauge.	Test gauge and sensor. Replace failed component.
	Temperature balance orifice missing	Replace orifice
Automatic waste pump is malfunctioning or not operating normally NOTE: <i>When replacing either the pump or float switch, use new electrical connectors and heat shrink. Inspect connection for watertight seal.</i>	Defective waste pump float switch.	Replace float switch.
	Broken diaphragm.	Replace diaphragm.
	Weak battery.	Charge or replace battery if needed. Check charging station.
	Pump-out circuit breaker on control panel has been tripped.	After inspecting waste pump to determine the cause of the tripped circuit breaker, press the reset button.

PARTS



REF	PART NO.	PRV NO.	QTY	DESCRIPTION	SERIAL NO. FROM	NOTES
1	86270330	02-000066	22	FLATWASHER, 1/4		
2	86278830	02-000143	14	WASHER, 5/16 FLAT PLTD		
3	86177640	12-800059	1	CONN, 1/8P X 1/4POLY BR		
4	86178700	19-800075	1	CUP, OIL FILL 1/8P		
5	86194670	27-100221	1	TRIM, FLEX, TM		
6	86161800	46-802531	4	LATCH, CONCEALED KEEPER		
7	86005680	57047	7	NUT, 1/4-20 HEX NYLOCK		
8	86274750	70270	11	SCR, 1/4-20 X 3/4 HHCS		
9	86006760	70305	12	SCR, 5/16-18 X 3/4 HHCS GR5		
10	86274910	70325	2	SCR, 5/16-18 X 1.25 HHCS GR5		
11	86275460	70481	5	SCR, 1/4-20 X 3/4 BHCS		
12	86275570	70505	4	SCR, 1/4-20 X 1.00 HHCS GR5		
13	86233410	81270	1	CLAMP, 3/4 DIA CUSHION .406 DIA		
14	86238500	81427	2	GROMMET, 1.703IDX2.5ODX.125GRV		
15	86279130	87083	14	WASHER, 5/16 SPLIT LOCK		
16	86279400	87151	5	WASHER, 1/4 SPLIT LOCK BLK		
17	86010780	87162	11	WASHER, 1/4 SPLIT LOCK		
18	86279520	87172	5	WASHER, 1/4 ID FLAT BLK		
19	86313920	-	1	GUARD, BELT, FRONT		
20	86314700	-	3	CLAMP, CABLE, 1-3/4 "P" CUSHION		
21	86177430	791372	1	CLMP, 1-1/16 ID X 3/8 BLT		
22	86191800	791414	8	RIVET, 5/32 OD X .188-.250 GL AL		
23	86191810	791415	8	RIVET, 5/32 OD X .251-.375 GL AL		
24	86309130	-	1	PNL, LOWER FRONT		
25	86309420	-	1	LABEL, LOWER FRONT PNL		
26	86310020	-	1	BRKT, HE SUPT		
27	86310110	-	1	BRKT, CENTER HOOD		
28	86310120	-	1	HOOD, LEFT		
29	86310130	-	1	HOOD, RIGHT		
30	86310380	-	1	ASSEMBLY, FRAME		
31	86310470	-	1	GUARD, BELT		
32	86310810	-	1	BRKT, FRAME STIFFENER		
33	86312910	-	1	BRKT, REAR ENGINE SUPT		
34	86313750	-	1	GUARD, BELT, LOWER REAR		
35	86313910	-	1	BRKT, LEFT FRAME STIFFENER		
36	86315490	-	2	GASKET, VIBE DAMPNR		

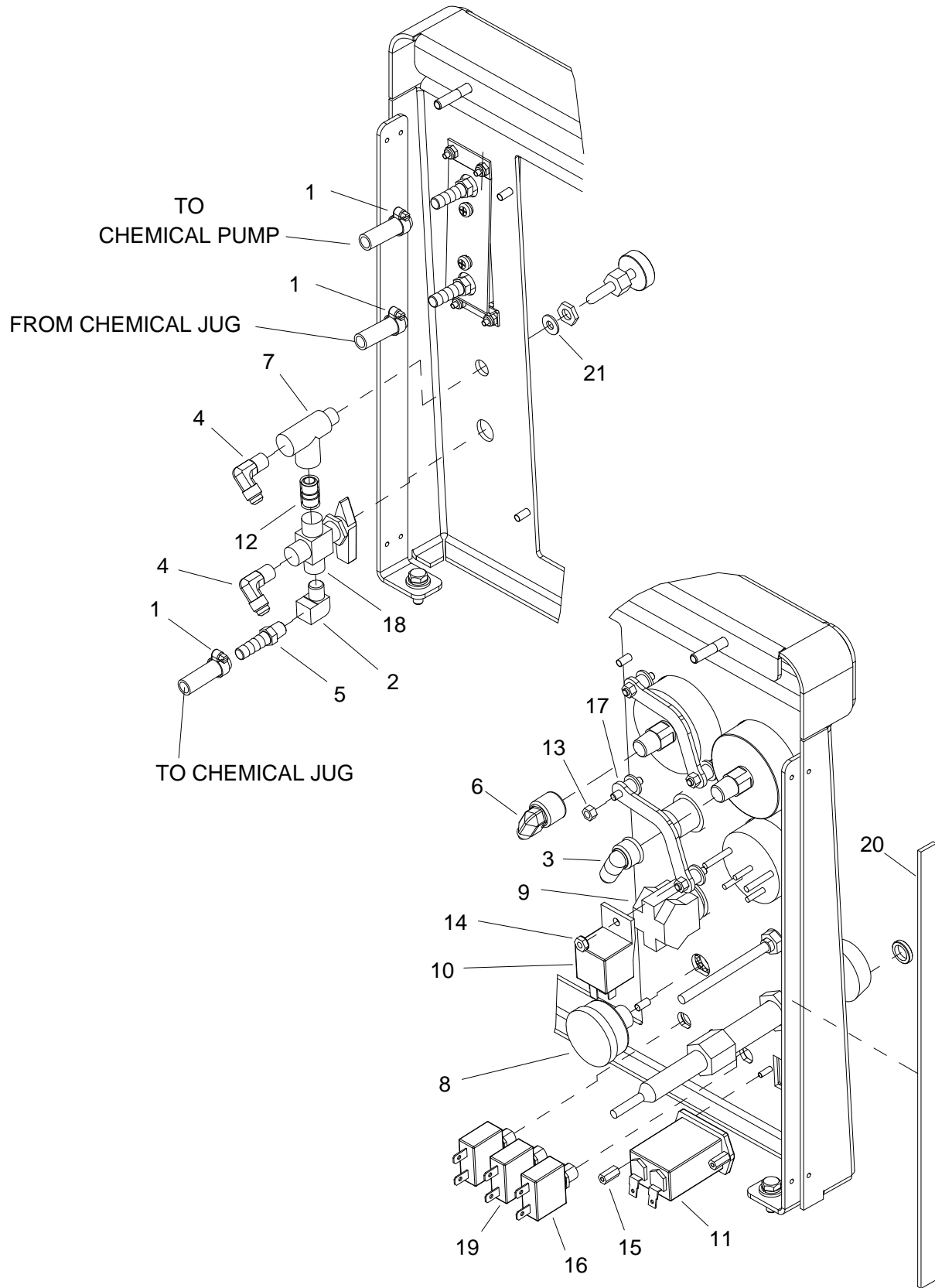


REF	PART NO.	PRV NO.	QTY	DESCRIPTION	SERIAL NO. FROM	NOTES:
1	86327760	-	1	BRKT, WTR & VAC INLET, LGT BGT	*(1)	
2	86010780	87162	2	WASHER, 1/4 SPLIT LOCK		
3	86274750	70270	2	SCR, 1/4-20 X 3/4 HHCS		
4	86179710	13-806008	1	DSC, 3/8F X 3/8FP		
5	86181360	12-800269	1	FTTG, BRB 1/2P X 5/8H BR		
6	86188210	11-800354	1	NIP, 1/2 X 3/8 HEX BR		
7	86177060	03-000246	1	CLAMP, HOSE, #8 SST		
8	86270330	02-000066	2	FLATWASHER, 1/4		
9	86309120	-	1	BRKT, WTR & VAC INLET		
10	86177220	03-000054	1	CLMP, HOS#32 1.5625/2.5, SST		
11	86310350	-	1	LABEL, WTR & VAC INLET BRKT		

*SEE SERIAL NUMBER PAGE.

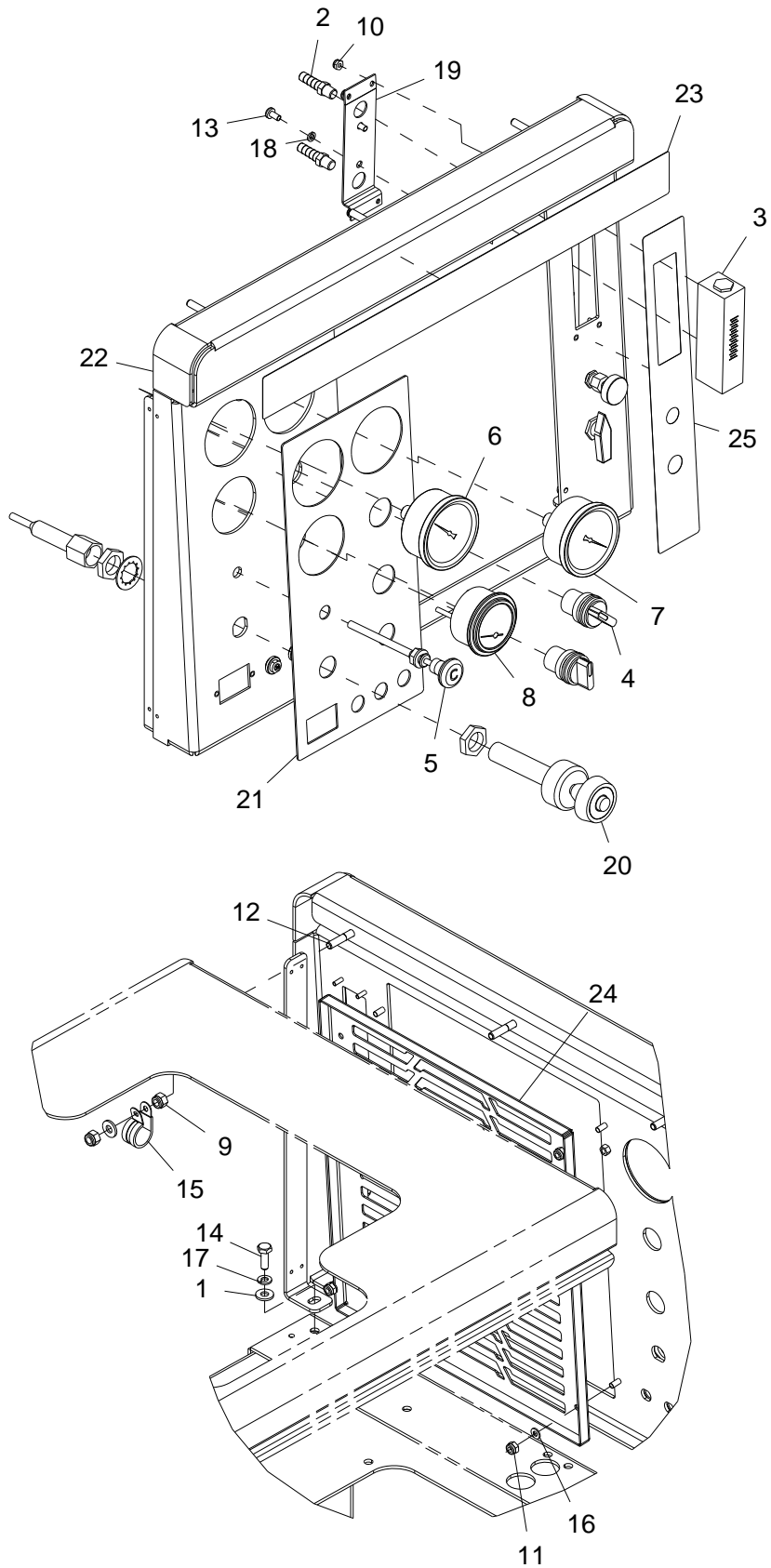
**CALL MANUFACTURER FOR SERIAL NUMBER.

Control Panel - Upper

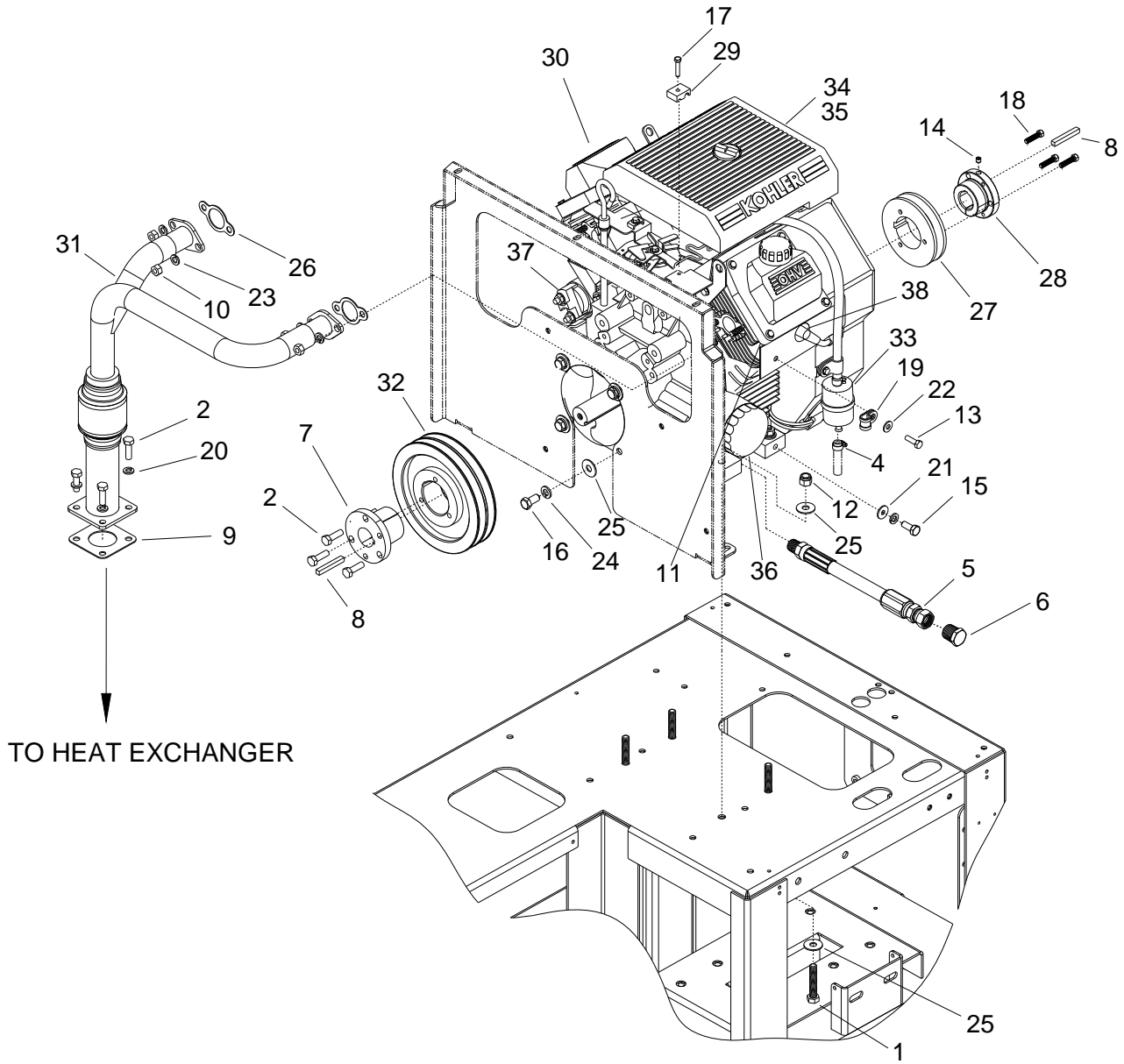


REF	PART NO.	PRV NO.	QTY	DESCRIPTION	SERIAL NO. FROM	NOTES
1	86176990	03-000065	3	CLAMP, HOSE #4 SST		
2	86180140	11-800014	1	ELL, STREET 1/8 BR		
3	86180350	12-800035	1	ELL, 1/4FP X 1/4T BR		
4	86180360	12-800040	2	ELL, 1/8P X 1/4T BR		
5	86181300	12-800093	1	FTTG, BRB 1/8P X 5/16H		
6	86180380	12-800101	1	ELL, 1/4FP X 1/4POLY BR		
7	86195050	15-808106	1	VALVE, METER 1/8FP		
8	86186020	32-900174	1	KEYSWITCH		
9	86193760	32-900206	1	SW, RTRY W/BYPASS NON-ILL		
10	86191740	35-900188	1	RELAY, ENG SHTDWN		
11	86246890	54092	1	METER, 0-60VDC HOUR		
12	86247720	56032	1	NIPPLE, 1/8 CLOSE		
13	86136310	57086	4	NUT, M5 X 4.7 HEX NYLOCK		
14	86005720	57106	1	NUT, 8-32 HEX W/STAR		
15	86255920	73811	2	STANDOFF, 6-32 X 1/2 HEX NYL		
16	86185610	140625	1	BRKR, CIRCUIT, 30A		
17	86175680	140702	2	BRKT, WIKA MOUNTING		
18	86297070	-	1	VALVE, 3-WAY BALL 1/8P		
19	86298280	-	2	BRKR, CIRCUIT, 20A		
20	86315490	-	2	GASKET, VIBE DAMPNR		
21	86329190	-	1	WASH, .446ID X .563OD X .010THK SST		

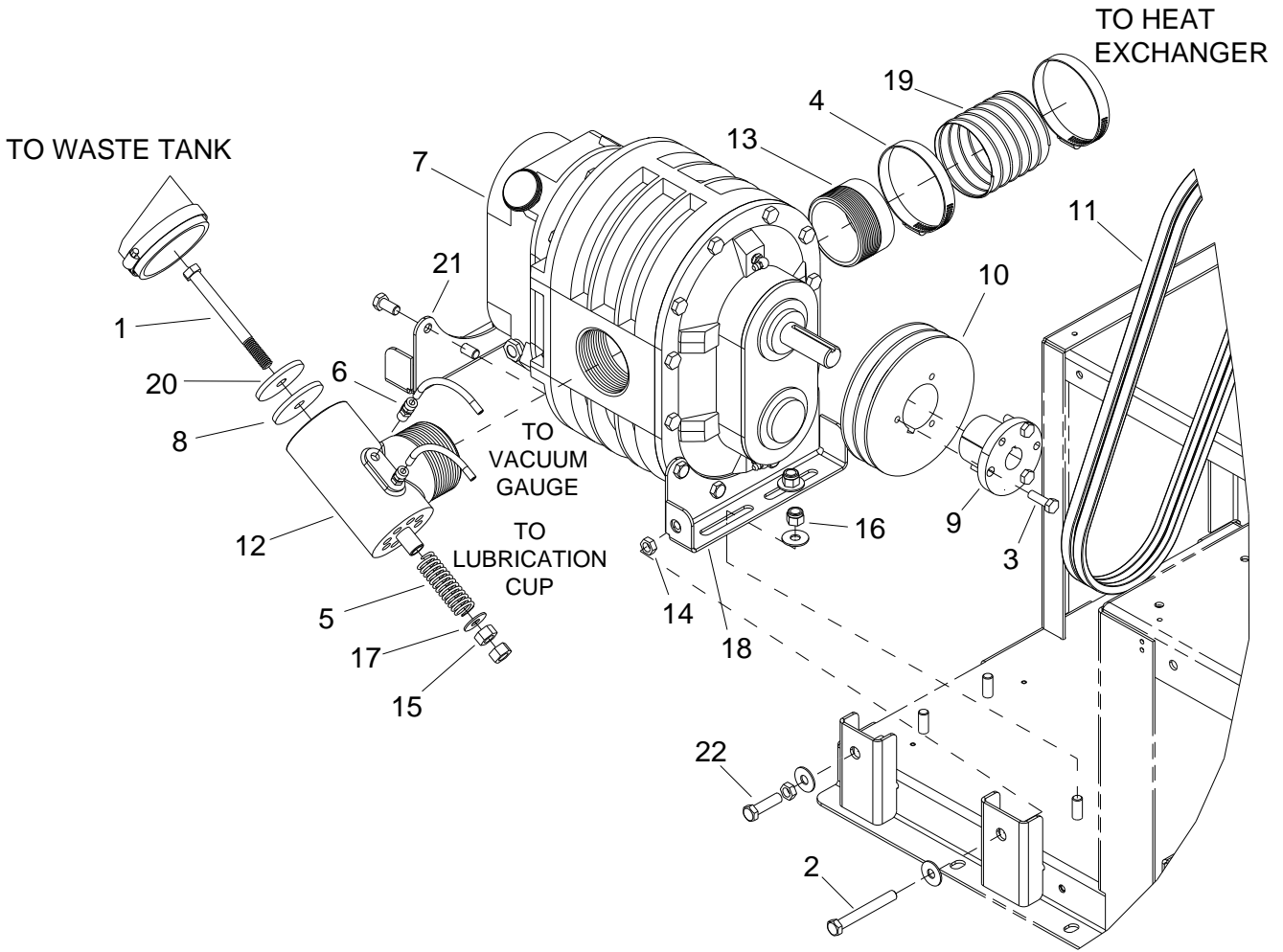
Control Panel - Upper



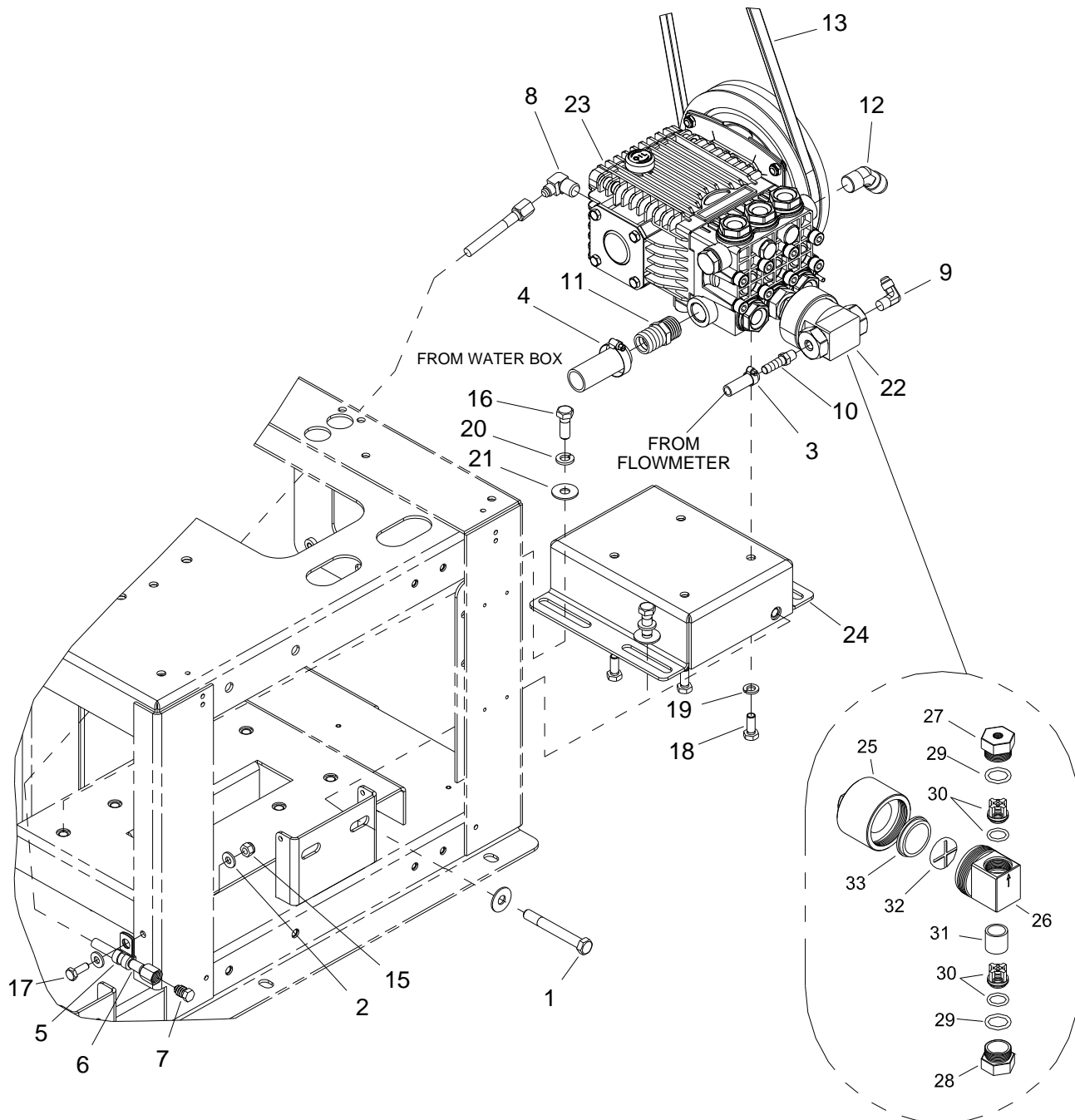
REF	PART NO.	PRV NO.	QTY	DESCRIPTION	SERIAL NO. FROM	NOTES
1	86270330	02-000066	5	FLATWASHER, 1/4		
2	86181300	12-800093	2	FTTG, BRB 1/8P X 5/16H		
3	86181170	18-808513	1	FLOWMETER 1/8FP		
4	86193750	32-900205	1	SW, RTRY NON-ILLUM TM		
5	86176120	49-802518	1	CABLE, CHOKE		
6	86181930	36225	1	GAUGE, 0-1500 PSI		
7	86181950	36227	1	GAUGE, VACUUM, 30" HG		
8	86181960	36229	1	GAUGE, TEMP, DATCON		
9	86005680	57047	6	NUT, 1/4-20 HEX NYLOCK		
10	86270920	57049	4	NUT, 6-32 HEX NYLOCK SS		
11	86270990	57090	4	NUT, 10-32 HEX NYLOCK SS		
12	86273820	70019	3	SCR, 1/4-20 X 1.25 HHCS SS		
13	86274290	70162	2	SCR, 10-32 X 3/8 PPHMS SS		
14	86274750	70270	2	SCR, 1/4-20 X 3/4 HHCS		
15	86233410	81270	3	CLAMP, 3/4 DIA CUSHION .406 DIA		
16	86279190	87095	4	WASHER, #10 X .40 FLAT		
17	86010780	87162	2	WASHER, 1/4 SPLIT LOCK		
18	86279470	87165	2	WASHER, #10 SPLIT LOCK		
19	86017360	140675	1	BRKT, FLOW METER		
20	86177540	791081	1	CNTRL, THRTL, CLR/CLNR		
21	86309050	-	1	LABEL, CONTROL PANEL		
22	86309910	-	1	ASSY, CONTROL PNL, LGT PC		
23	86310360	-	1	LABEL, FRNT HD, LGT, PC		
24	86312880	-	1	PNL, GRILLE, GT		
25	86312890	-	1	LABEL, CHEM PNL, GT		



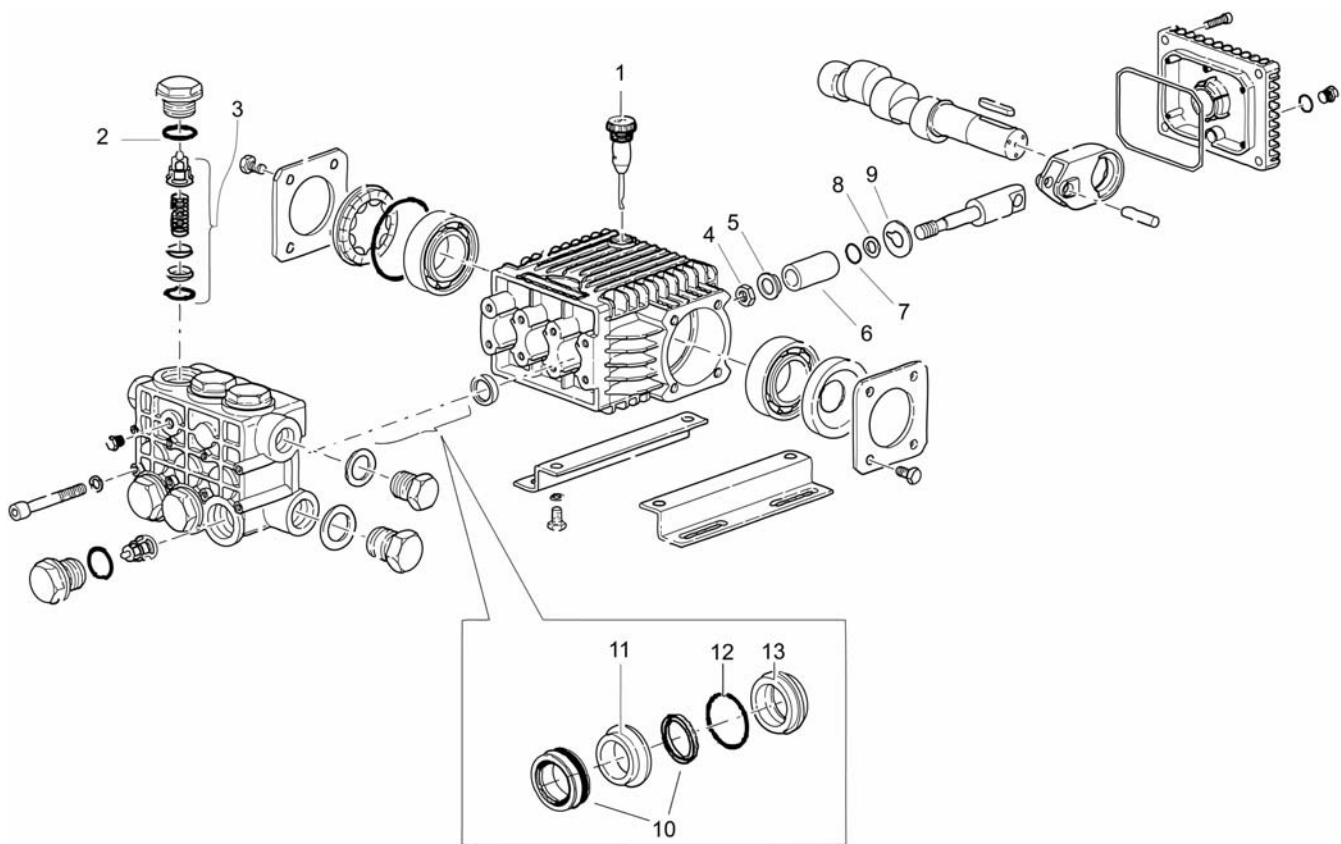
REF	PART NO.	PRV NO.	QTY	DESCRIPTION	SERIAL NO. FROM	NOTES
1	86277830	00-000072	4	SCR, 3/8-16 x 2" HXHD		
2	86273440	00-000340	7	SCR, MACH 5/16-18 X 1" GR8		
3	OPEN					
4	86176990	03-000065	1	CLAMP, HOSE #4 SST		
5	86183600	10-805291	1	HOS, 3/8 X 10 (3/8P X 1/2T)		
6	86190550	12-800062	1	PLUG, 1/2T		
7	86185350	44-802214	1	HUB, P1 X 1-1/8		
8	86049230	54-500412	2	KEY, 1/4 SQ X 1.88		
9	86182290	35275	1	GSKT, EXH, KUB, D902/WG972		
10	86136280	57054	4	NUT, M8 HEX		
11	86270990	57090	1	NUT, 10-32 HEX NYLOCK SS		
12	86005770	57119	4	NUT, 3/8-16 HEX NYLOCK		
13	86273980	70066	1	SCR, 10-32 X 3/4 PPHMS SS		
14	86277930	70119	1	SCR, 1/4-20 X 3/8 SSSCU DL		
15	86136640	70262	1	SCR, M8 X 20 HHMS		
16	86006920	70507	4	SCR, 3/8-16 X 3/4 HHCS GR5		
17	86277890	70856	1	SCR, M5 - 8 X 25MM STL, ZNC		
18	86277680	70937	3	SCR, 1/4-20 X 1-1/4 HXHD GR8		
19	86233410	81270	2	CLAMP, 3/4 DIA CUSHION .406 DIA		
20	86279130	87083	4	WASHER, 5/16 SPLIT		
21	86010740	87090	1	WASHER, 1/4 X 3/4 FLAT		
22	86270330	02-000066	1	FLATWASHER, 1/4		
23	86137310	87098	5	WASHER, M8 SPLIT LOCK ZINC PLTD		
24	86010790	87163	4	WASHER, 3/8 SPLIT		
25	86279510	87171	12	WASHER, 3/8 X 1 FLAT NP		
26	86182730	790626	2	GSKT, EXHST, KHLR 25HP		
27	86191280	790719	1	PULLEY, 1B36SH		
28	86185400	790720	1	HUB, SH1		
29	86177130	791083	1	CLAMP, CABLE, THROT/CHOKE		
30	86310480	-	1	ENGINE, KOHLER 23HP		
31	86311440	-	1	TUBE, EXHAUST, KOHLER 23HP		
32	86313550	-	1	PULLEY, 2TA62		
33	86315860	-	1	FILTER, FUEL KOH 23HP		
34	86315870	-	1	ELEMENT, AIR FILTER KOH 23HP		
35	86315840	-	1	PRE-CLEANER, KOHLER 23 HP		
36	86186320	42-902277	1	KOH FLTR, OIL #1205001-S		
37	86315850	-	1	STARTER, SOLENOID SHIFT KOH 23HP		
38	86186360	42-902289	2	KOH SPK PLG #1213202-S		



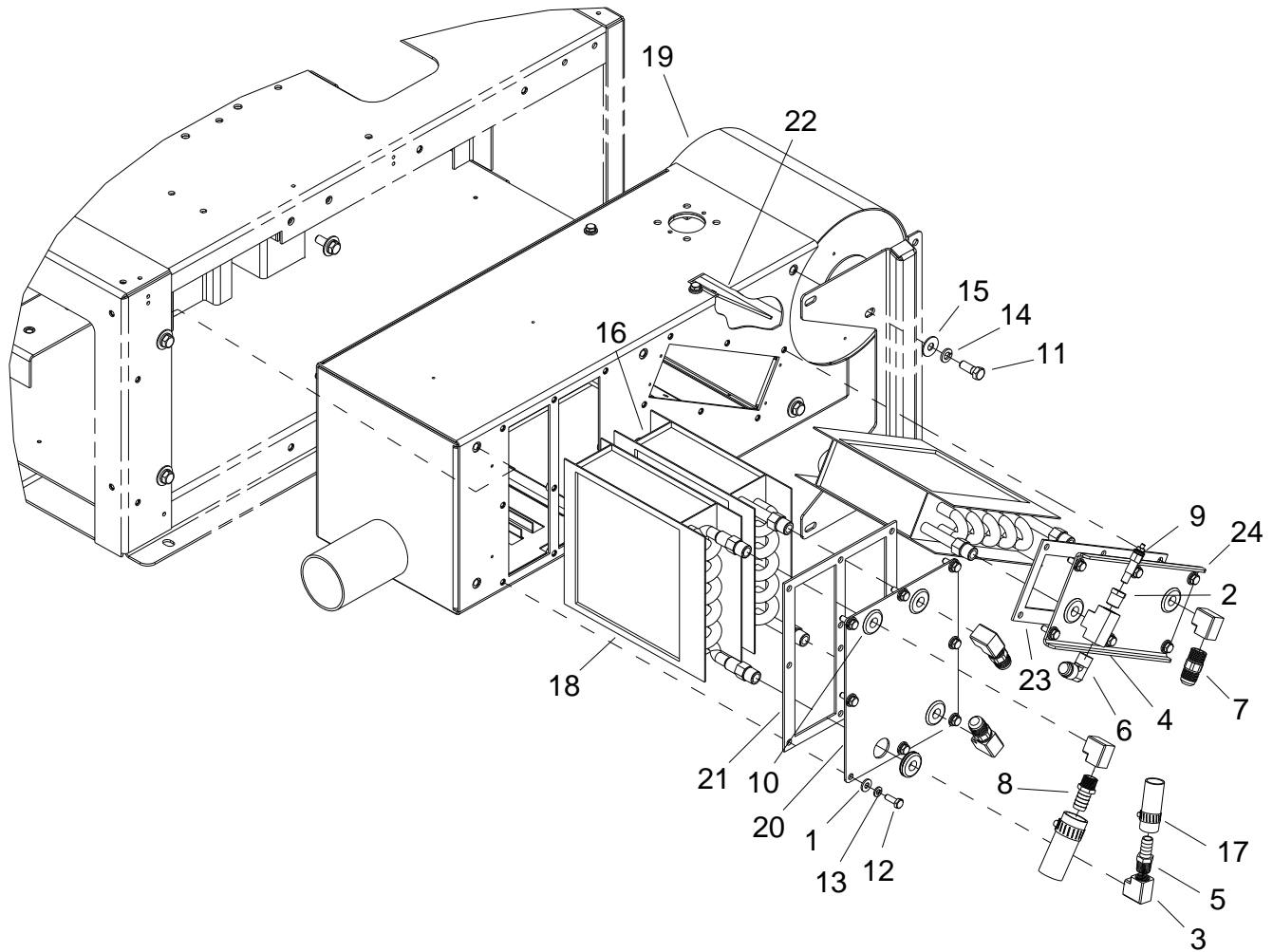
REF	PART NO.	PRV NO.	QTY	DESCRIPTION	SERIAL NO. FROM	NOTES
1	86273320	00-000284	1	SCR, CAP 7/16-14 x 4 HXHD		
2	86273420	00-000336	1	SCR, CAP 3/8-16x3 ALL THD		
3	86273440	00-000340	3	SCR, MACH 5/16-18 X 1" GR8		
4	86177010	03-000112	3	CLAMP, HOSE #48		
5	86193230	04-000091	1	SPRING, VAC REL VLV		
6	86177640	12-800059	2	CONN, 1/8P X 1/4POLY BR		
7	86190700	41-905021	1	PMP, VAC 4M-L		
8	86179580	43-807074	1	DIAPHRAM, VAC REL VLV		
9	86185320	44-802196	1	HUB, P1 X 7/8		
10	86191030	44-802212	1	PULLEY, 2TA54		
11	86175120	44-802316	2	BELT, AX41 GOODYEAR MATCH		
12	86180600	52-501573	1	ELL, VAC REL VLV		
13	86188500	54-501593	1	NIP, VAC EXH OUTL		
14	86005690	57085	2	NUT, 3/8-16 HEX JAM		
15	86271070	57114	2	NUT, 7/16-14 HEX		
16	86005770	57119	4	NUT, 3/8-16 HEX NYLOCK		
17	86279510	87171	7	WASHER, 3/8 X 1 FLAT NP		
18	86309350	-	1	BRKT, BLOWER MTG		
19	86311490	-	1	TUBING, FLEX, BLWR TO MFLR		
20	86311600	-	1	WASHER, VAC REL VLV, #4VAC		
21	86315540	-	1	BRKT, REAR BLOWER MTG		
22	86274660	70255	1	SCR, 3/8-16 X 1.5 HHCS GR5 PLT		



REF	PART NO.	PRV NO.	QTY	DESCRIPTION	SERIAL NO. FROM	NOTES
1	86273420	00-000336	1	SCR, CAP 3/8-16x3 ALL THD		
2	86270330	02-000066	2	FLATWASHER, 1/4		
3	86176990	03-000065	1	CLAMP, HOSE #4 SST		
4	86177020	03-000113	1	CLAMP, HOSE #12 SST		
5	86177320	03-000249	1	CLMP, 1/4 ID X 3/8 BLT		
6	86183700	10-805322	1	HOS, 3/16X19(1/4FT BS) MET		
7	86190540	12-800029	1	PLUG, 1/4T BR		
8	86180340	12-800031	1	ELL, 1/4P X 1/4T BR		
9	86180360	12-800040	1	ELL, 1/8P X 1/4T BR		
10	86181300	12-800093	1	FTTG, BRB 1/8P X 5/16H		
11	86181370	12-800278	1	FTTG, BRB 1/2P x 3/4H BR		
12	86180450	12-800347	1	ELL, 3/8P X 1/2T 45 DEG. BR		
13	86175120	44-802316	1	BELT, AX41 GOODYEAR MATCH		
14	86282770	51372	1	LOOM, 1/4 HI TMP X 10"		
15	86005680	57047	1	NUT, 1/4-20 HEX NYLOCK		
16	86006740	70266	4	SCR, 3/8-16 X 1.00 HHCS GR5		
17	86274750	70270	1	SCR, 1/4-20 X 3/4 HHCS		
18	86274860	70311	4	SCR, M8 X 20 HHMS		
19	86137310	87098	4	WASHER, M8 SPLIT LOCK ZINC PLTD		
20	86010790	87163	4	WASHER, 3/8 SPLIT LOCK		
21	86279510	87171	5	WASHER, 3/8 X 1 FLAT NP		
22	86191440	791173	1	PUMP, CHEM, PULSE, GP		INCLUDES 25-33
23	86310490	-	1	PUMP, ASSY, GEN 3.5GPM		
24	86311170	-	1	BRKT, PUMP MTG		
25	86194630	65250	1	PULSE PUMP, TOP COVER INLET		
26	86191340	65253	1	PULSE PUMP, BODY		
27	86195120	65248	1	VALVE CAP, 303 SST, OUTPUT		
28	86195100	65245	1	VALVE CAP, 303 SST, INPUT		
29	86189290	65249	2	O-RING, DURO, .862ID X .103CS		
30	86195110	65247	2	VALVE KIT, ASM, CHEM, PULSE PUMP		
31	86192920	65246	1	SPACER RING, 303 SST		
32	86249220	65252	1	PLASTIC DISC		
33	86179550	42-809047	1	DIAPHRAGM, CHEM PUMP		

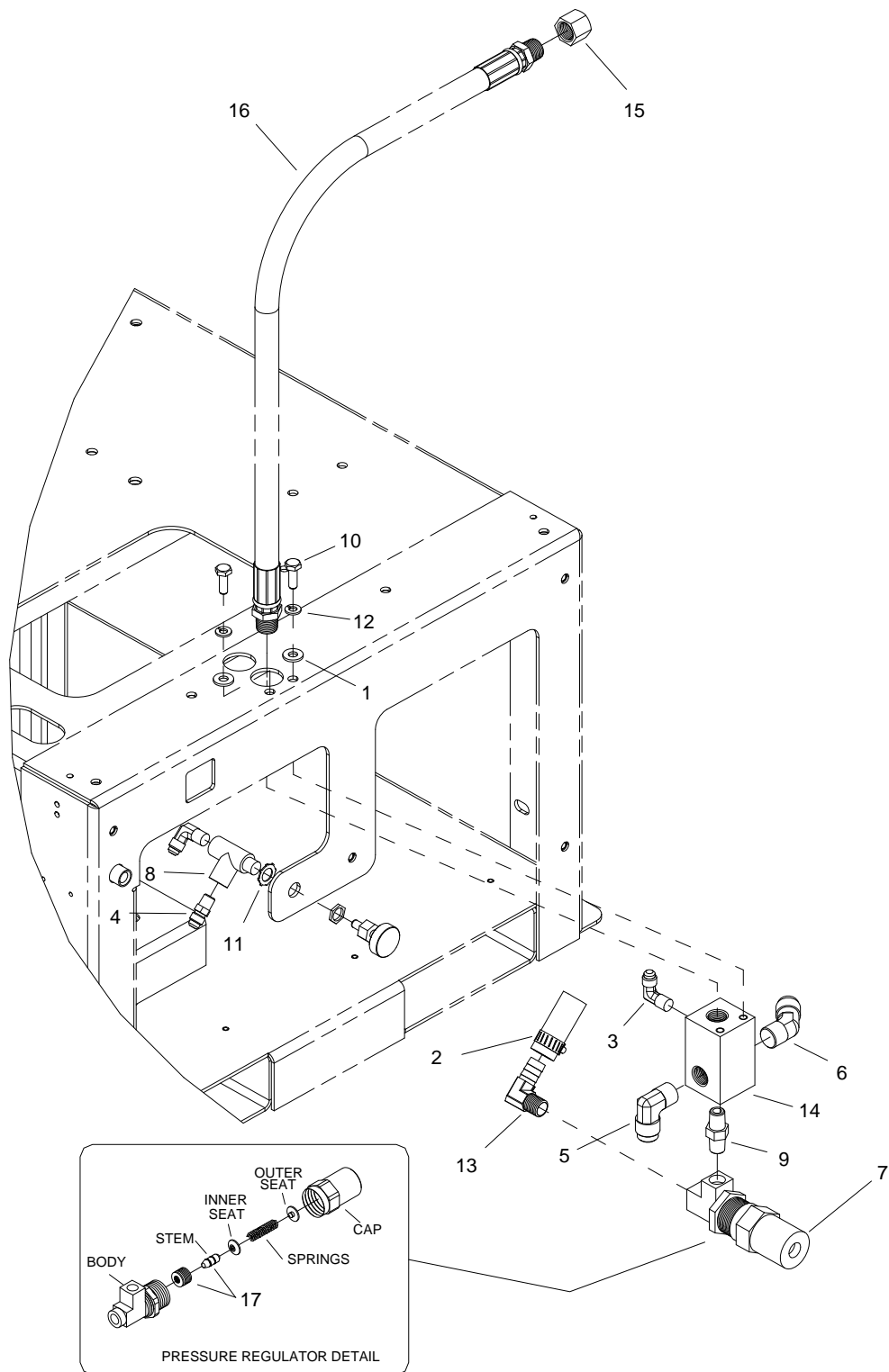


REF	PART NO.	PRV NO.	QTY	DESCRIPTION	SERIAL NO. FROM	NOTES
1	86315700	-	1	DIPSTICK, VENTED, HTX GP		
2	86315710	-	1	KIT, CHK VLV, HTX GP		
3	86315720	-	9	O-RING, VLV CAP, HTX GP		
4	86315730	-	3	NUT, M8, SS HTX GP		
5	86315740	-	3	COLLARED WASHER HTX GP		
6	86315750	-	3	PLUNGER, 18MM HTX GP		
7	86315760	-	3	O-RING, HTX GP		
8	86315770	-	3	ANTI-EXTRUSION RING, HTX GP		
9	86315780	-	3	FLINGER WASHER, HTX GP		
10	86315800	-	3	KIT, HP & LP SEALS, 18MM GP		
11	86315810	-	3	INTERMEDIATE RING, 18 MM GP		
12	86315820	-	3	O-RING, PLUNGER SEAL 18MM		
13	86315830	-	3	SEAL RETAINER, 18MM GP		



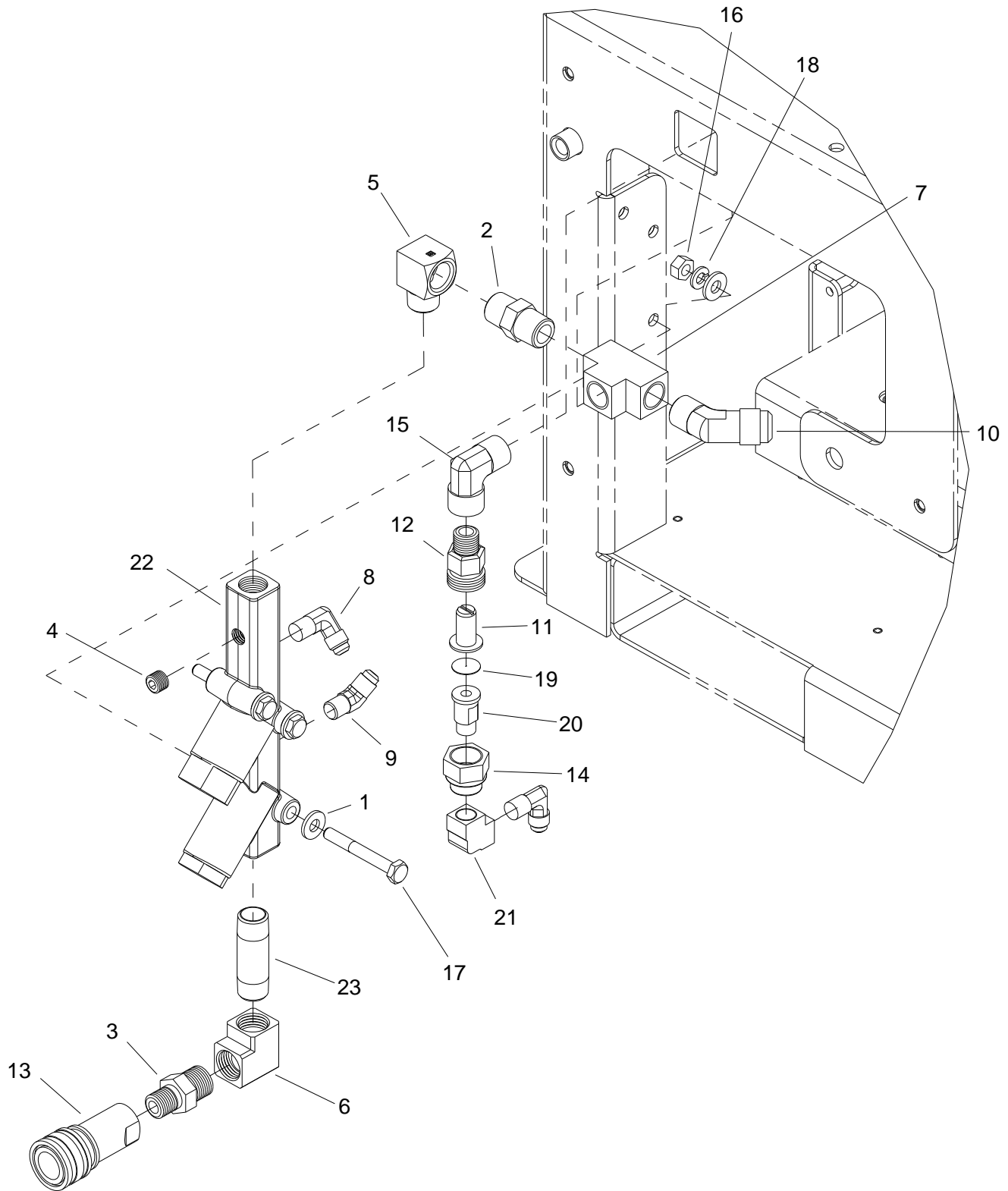
REF	PART NO.	PRV NO.	QTY	DESCRIPTION	SERIAL NO. FROM	NOTES
1	86270330	02-000066	17	FLATWASHER, 1/4		
2	86175920	11-800118	1	BUSH, 3/8 X 1/8 BR		
3	86180220	11-800276	5	ELL, 3/8 BR		
4	86194170	11-800352	1	TEE, 3/8, BRASS, 2203P-6		
5	86181330	12-800161	1	FTTG, BRB 3/8PX1/2H BR		
6	86180410	12-800225	1	ELL, 3/8P X 1/2T BR		
7	86177700	12-800282	3	CONN, 3/8P X 1/2T BR		
8	86181400	12-800345	1	FTTG, BRB 3/8P x 5/8H BR		
9	86192490	34-903019	1	SENDER, TEMP 140-320 DEG		
10	86182190	36238	6	GROM, 1/2 ID X 1-1/8 OD		
11	86006740	70266	6	SCR, 3/8-16 X 1.00 HHCS GR5		
12	86274750	70270	17	SCR, 1/4-20 X 3/4 HHCS		
13	86010780	87162	17	WASHER, 1/4 SPLIT LOCK		
14	86010790	87163	6	WASHER, 3/8 SPLIT LOCK		
15	86279510	87171	6	WASHER, 3/8 X 1 FLAT NP		
16	86043150	790388	2	ASSEMBLY, HEATER CORE SS		
17	86177060	03-000246	2	CLAMP, HOSE #8 SST		
18	86293680	-	1	ASSEMBLY, COPPER HEATER CORE		
19	86308840	-	1	HSG, VAC HE BOX		
20	86308920	-	1	PLATE, HEATER CORE COVER		
21	86308930	-	1	GASKET, HEATER CORE COVER		
22	86310660	-	1	PNL, DIVERTER		
23	86313690	-	1	GASKET, HEATER CORE COVER		
24	86313730	-	1	PLATE, HEATER CORE COVER		

Pressure Regulator & Temperature Control Valve

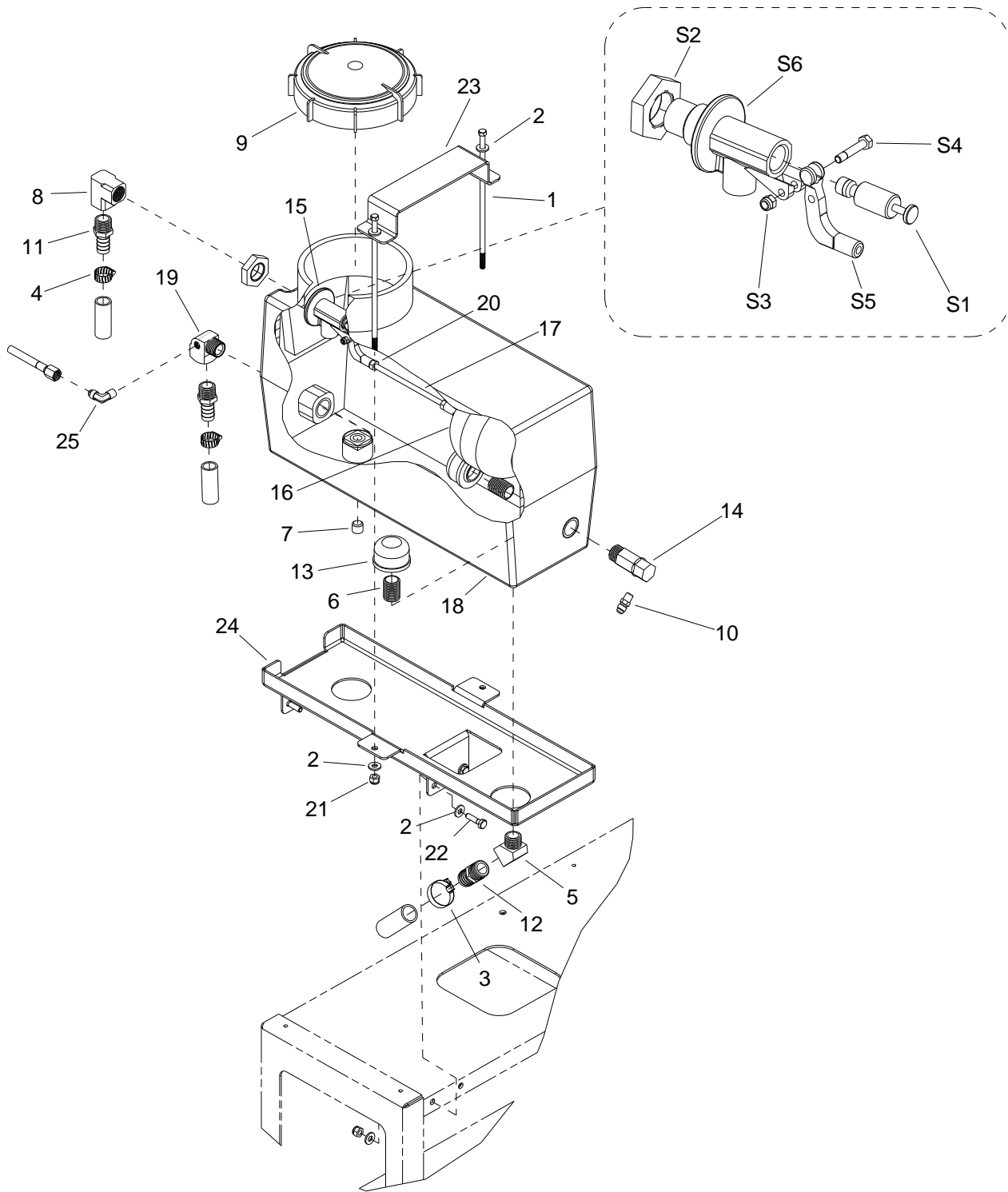


Pressure Regulator & Temperature Control Valve

REF	PART NO.	PRV NO.	QTY	DESCRIPTION	SERIAL NO. FROM	NOTES
1	86270330	02-000066	2	FLATWASHER, 1/4		
2	86177060	03-000246	1	CLAMP, HOSE, #8 SST		
3	86180360	12-800040	2	ELL, 1/8P X 1/4T BR		
4	86177660	12-800065	1	CONN, 1/8P X 1/4T		
5	86180410	12-800225	1	ELL, 3/8P X 1/2T BR		
6	86180450	12-800347	1	ELL, 3/8P X 1/2T 45 DEG. BR		
7	86191630	15-808081R	1	REG, PRESS W/DUAL SPRING		
8	86195050	15-808106	1	VALVE, METERING 1/8FP		
9	86247680	56015	1	NIPPLE, 1/4 HEX		
10	86273780	70015	2	SCR, 1/4-20 X 3/4 HHCS SS		
11	86278970	87012	1	WASHER, 7/16 EXT STAR		
12	86010780	87162	2	WASHER, 1/4 SPLIT LOCK		
13	86180040	790722	1	ELBOW, 1/4MPX1/2H 90DEG		
14	86312440	-	1	MNFLD, PRESSURE REG		
15	86313740	-	1	CAP, STEEL, 3/8-18FPT		
16	86312330	-	1	HOSE, PULSE 28", 3/8 MPT		
17	86186040	16-808193	1	KIT, REPAIR PRESSURE REG		

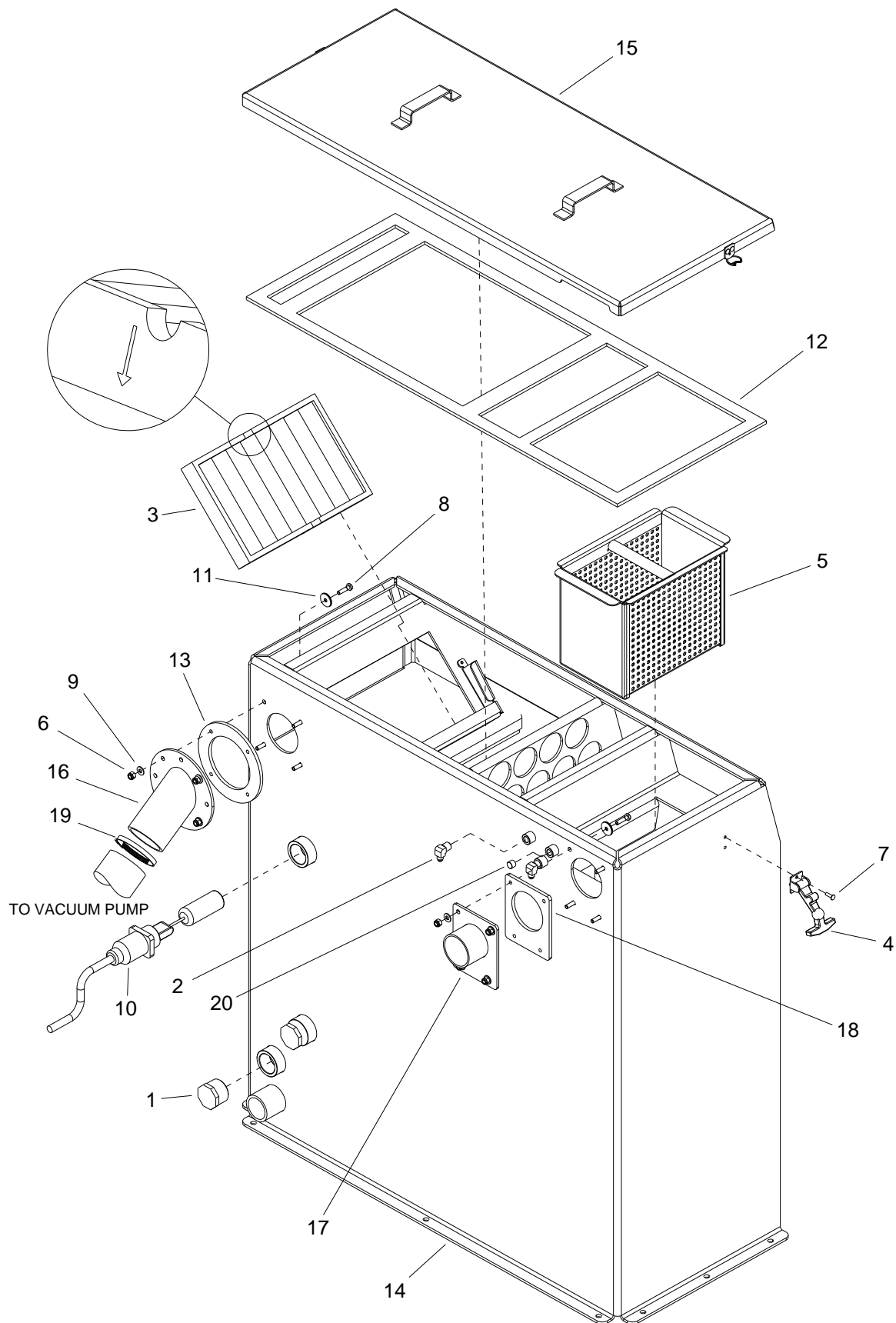


REF	PART NO.	PRV NO.	QTY	DESCRIPTION	SERIAL NO. FROM	NOTES
1	86270330	02-000066	6	FLATWASHER, 1/4		
2	86188080	11-800102	1	NIP,3/8 HX BR		
3	86188130	11-800151	1	NIPPLE, 3/8M X 1/4M		
4	86190180	11-800206	1	PLG, 1/8 SOCHD BR		
5	86180210	11-800275	1	ELL, ST 3/8 BR		
6	86180220	11-800276	1	ELL, 3/8 BR		
7	86194170	11-800352	1	TEE, 3/8, BRASS, 2203P-6		
8	86180360	12-800040	2	ELL, 1/8P X 1/4T BR		
9	86180420	12-800261	1	ELL, 1/8P X 1/4T 45 DEG		
10	86180450	12-800347	1	ELL, 3/8P X 1/2T 45 DEG. BR		
11	86193490	14-806512	1	STRNR, JET 50MESH		
12	86177860	17-803010	1	CONN, 1/4P X 11/16-16M		
13	86002450	22015	1	COUPLER, 1/4 QD		
14	86002820	27074	1	CAP, NOZZLE		
15	86197440	31056	1	ELBOW, 3/8MPT X 1/4 FPT		
16	86270770	57006	3	NUT, 1/4-20 HEX		
17	86273850	70022	3	SCR, 1/4-20 X 2.00 HHCS SS		
18	86010780	87162	3	WASHER, 1/4 SPLIT LOCK		
19	86189190	790836	1	ORIFICE, BYPASS 4916 20 ZEEMS		
20	86173580	790839	1	ADPTR, HOSE BYPASS		
21	86180670	791267	1	ELL, 1/8 FEMALE NPT, BR		
22	86311640	-	1	ASSY, SOLUTION MANIFOLD, 6.63"		
23	86312630	-	1	NIPPLE, 3/8 X 2 BR		



REF	PART NO.	PRV NO.	QTY	DESCRIPTION	SERIAL NO. FROM	NOTES
1	86273410	00-000335	2	SCR, CAP 1/4-20 X 8 HXHD		
2	86270330	02-000066	12	FLATWASHER, 1/4		
3	86177020	03-000113	1	CLAMP, HOSE #12 SST		
4	86177060	03-000246	2	CLAMP, HOSE, #8 SST		
5	86180230	11-800299	1	ELL, STREET 1/2 45 DEG		
6	86188180	11-800300	2	NIP, 1/2 CL		
7	86272720	11-800345	1	PLG, 1/4 SOCHD BRASS		
8	86180250	11-800361	1	ELL, 1/2 BR		
9	86176400	11-800432	1	CAP, WATER BOX		
10	86177660	12-800065	1	CONN, 1/8P X 1/4T		
11	86181360	12-800269	2	FTTG, BRB 1/2P X 5/8H BR		
12	86181370	12-800278	1	FTTG, BRB 1/2P x 3/4H BR		
13	86193440	14-806540	2	STRAINER, SUC END 1/2FP		
14	86195320	15-808069	1	VLV, TEMP REL 165DEG		WAS 86195340
15	86195060	15-808110	1	VALVE, FLOAT, TM		
16	86174540	19-807014	1	BALL, FLOAT		
17	86181150	54-501715	1	ROD, FLOAT 1/4-20 X 6" SS		
18	86187820	58-500781	1	MOLDING, WATER BOX		
19	86317520	-	1	EL, STRT 1/2MP X 1/2FP W/ 1/8FP		
20	86270770	57006	2	NUT, 1/4-20 HEX		
21	86005680	57047	6	NUT, 1/4-20 HEX NYLOCK		
22	86275570	70505	4	SCR, 1/4-20 X 1.00 HHCS GR5		
23	86308940	-	1	BRKT, WTR BOX HOLDDOWN		
24	86309000	-	1	BRKT, WTR BOX MTG		
25	86180360	12-800040	1	ELL, 1/8P X 1/4T BR		
-	-	-	-	-		
S1	86189870	16-808219	1	PISTON, FLOAT VLV		
S2	86189010	52-501706	1	NUT, FLOAT VALVE		
S3	86024750	94028	1	NUT, M5 HEX NYLOCK, SS		
S4	86308950	-	1	SCR, HHSS, M5X20 SS		
S5	86309140	-	1	ARM, PIVOT, FLOAT VLV		
S6	86309160	-	1	BDY, FLOAT VALVE		

60 Gallon Waste Tank - From Serial Number *(1)



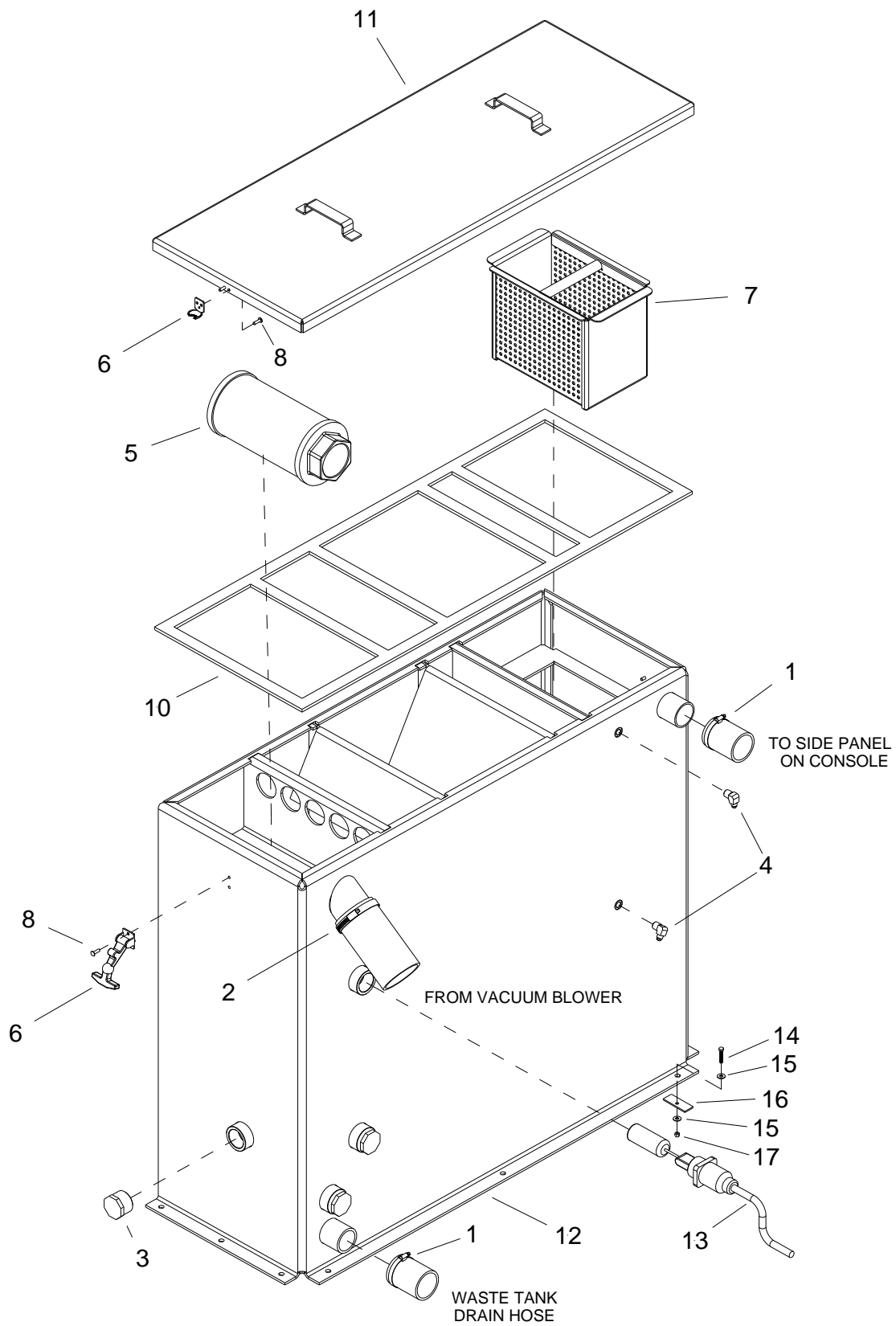
60 Gallon Waste Tank - From Serial Number *(1)

REF	PART NO.	PRV NO.	QTY	DESCRIPTION	SERIAL NO. FROM	NOTES
-	86329060	-	1	KIT, WASTE TANK, 60G, LGT/ BGT PC		COMPLETE
1	86190530	11-800402	2	PLUG, 1-1/4 HXHD PVC		
2	86180340	12-800031	2	ELL, 1/4P X 1/4T BR		
3	86193540	14-806569	1	STRNR, WST TNK, RECT, 1.5		
4	86186860	46-802510	2	LATCH, DRAW 2-7/8 SST		
5	86043190	56-501793	1	STRAINER BOWL, AVENGER 450		
6	86005810	57245	8	NUT, 1/4-20 HEX NYLOCK SS		
7	86273020	67006	8	RIVET, 3/16 OD X 5/8 AL		
8	86273810	70018	8	SCR, 1/4-20 X 1 HHCS SS		
9	86010630	87013	8	WASHER, 1/4 X 5/8 FLAT SS		
10	86193870	791066	1	ASSY, LVL SENS SHTOF SW		
11	86202240	-	8	WASHER, SEAL 1/4 X 1 OD SS		
12	86318530	-	1	GASKET, WASTE TANK LID		
13	86318560	-	1	GASKET, VAC OUTLET		
14	86320940	-	1	TANK, WASTE, 60G PC		
15	86320990	-	1	LID, WST TNK, 60G PC		
16	86321040	-	1	OUTLET, VACUUM, 2-7/8", PC		
17	86323650	-	1	INLET, 2-1/2" VACUUM, PC		
18	86323700	-	1	GASKET, VAC INLET		
19	86177010	03-000112	1	CLAMP, HOSE #48		
20	86272720	11-800345	1	PLG, 1/4 SOCHD BRASS		

*SEE SERIAL NUMBER PAGE.

**CALL MANUFACTURER FOR SERIAL NUMBER.

60 Gallon Waste Tank - To Serial Number *(1)



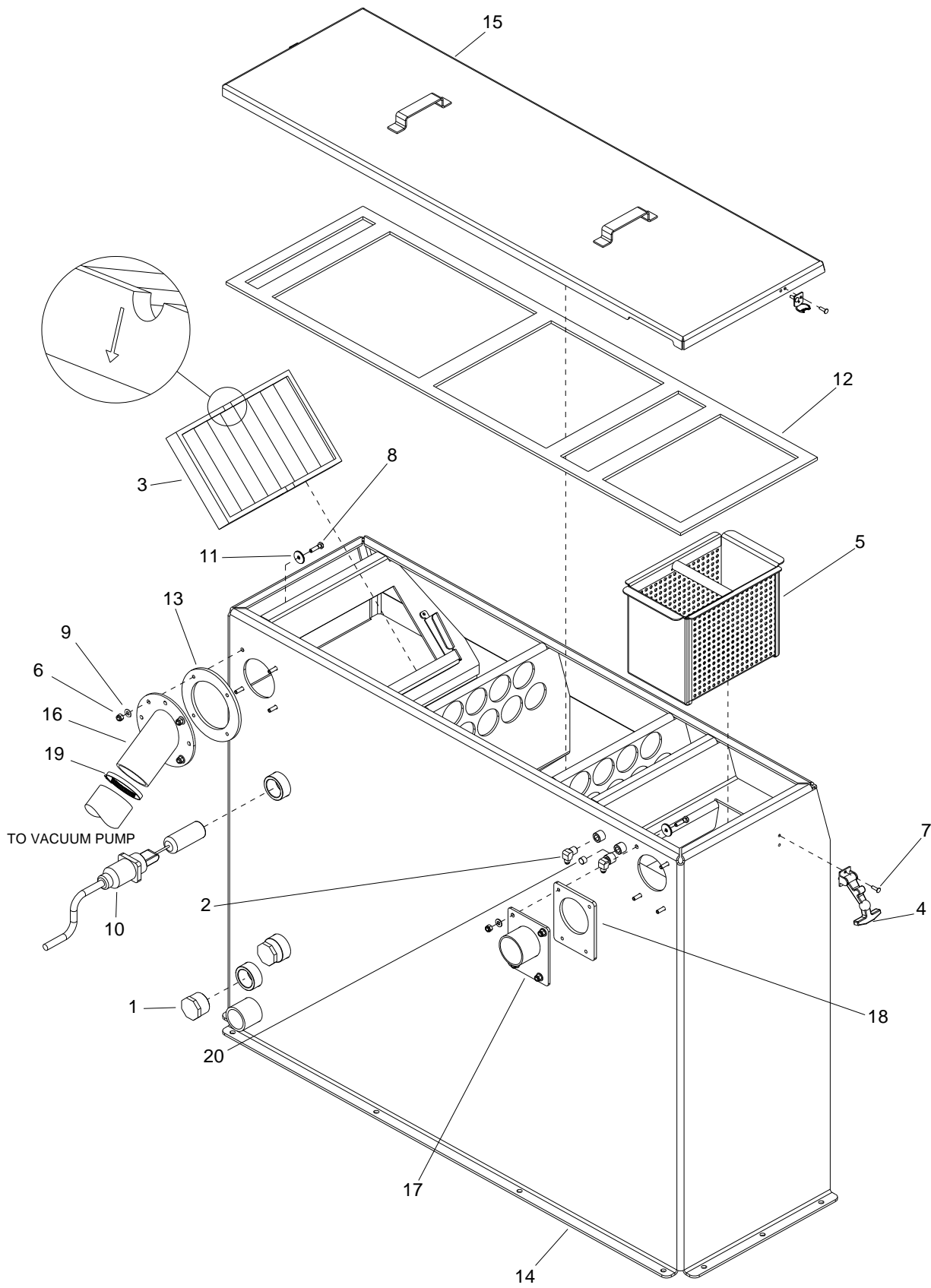
60 Gallon Waste Tank - To Serial Number *(1)

REF	PART NO.	PRV NO.	QTY	DESCRIPTION	SERIAL NO. FROM	NOTES
1	86177220	03-000054	2	CLMP, HOS#32 1.5625/2.5, SST		
2	86177010	03-000112	1	CLAMP, HOSE #48		
3	86190530	11-800402	3	PLUG, 1-1/4 HXHD PVC		
4	86180340	12-800031	2	ELL, 1/4P X 1/4T BR		
5	86193430	14-806518	1	STRAINER, WAST TANK 2-1/2"		
6	86186860	46-802510	2	LATCH, DRAW 2-7/8 SST		
7	86043190	56-501793	1	ASSY, BSKT. STRNR WST TNK		
8	86273020	67006	8	RIVET, 3/16 OD X 5/8 AL		
9	OPEN	-	-	-		
10	86182710	790620	1	GSKT, WASTE TANK		
11	86049690	790652	1	LID, 60G WST TNK		
12	86058600	790733	1	TNK, WST 60G, XL		
13	86193870	791066	1	SWITCH, FLOAT, N.C. HARWIL		
14	86277830	00-000072	9	SCR, 3/8-16 X 2" HXHD		
15	86279510	87171	18	WASHER, 3/8 FLAT		
16	86190170	50-500511	9	PLATE, INSTALL MT		
17	86005770	57119	9	NUT, 3/8-16 HEX NYLOCK		
-	86048960	09-805332	1	HOSE, INT VAC 2.0 X 120.0 BLK		
-	86195180	84196	1	VALVE, BALL 1.5 FNPT		
-	86264850	05-008002	1	ADH, GSKT (ADHESIVE)		

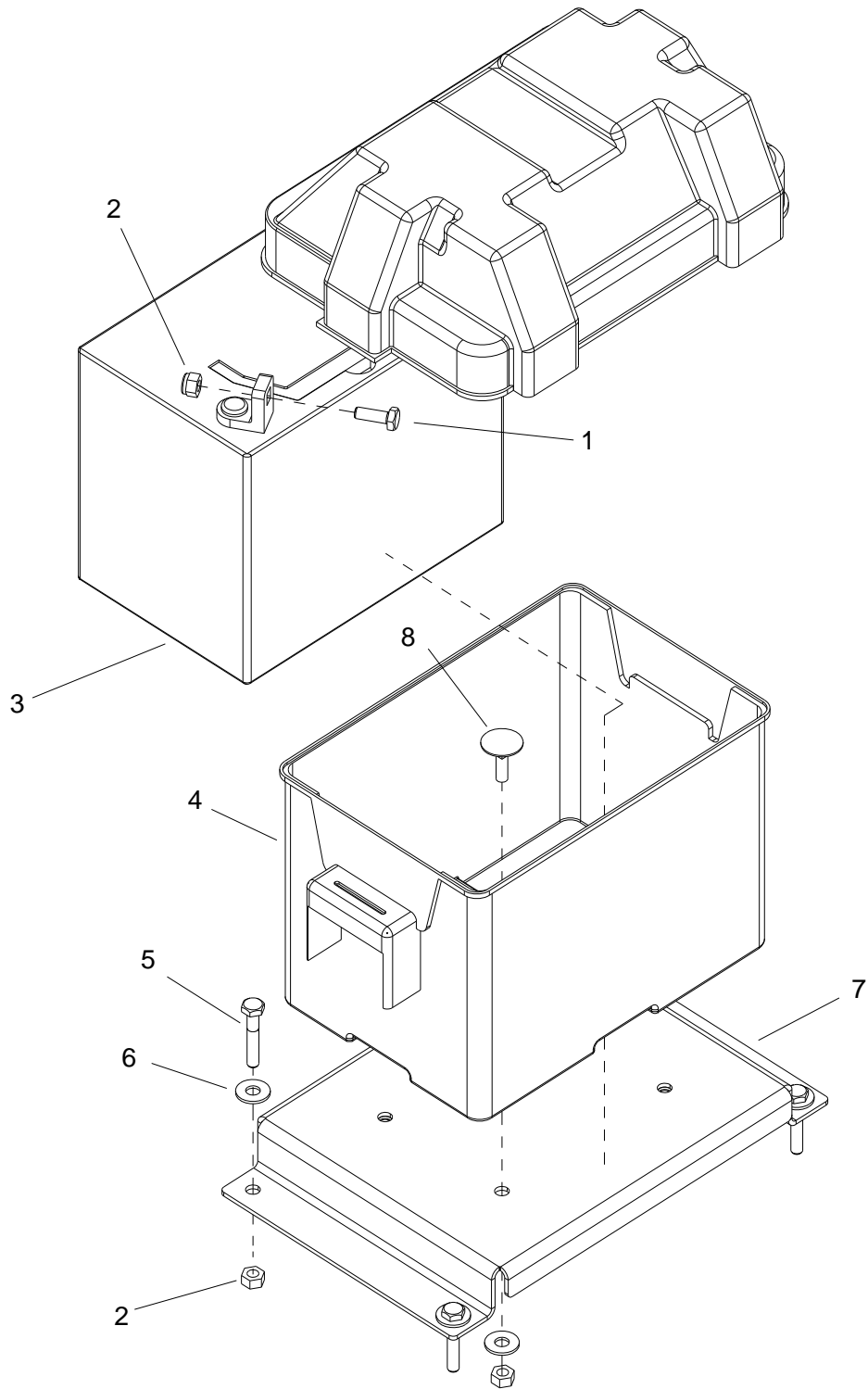
*SEE SERIAL NUMBER PAGE.

**CALL MANUFACTURER FOR SERIAL NUMBER.

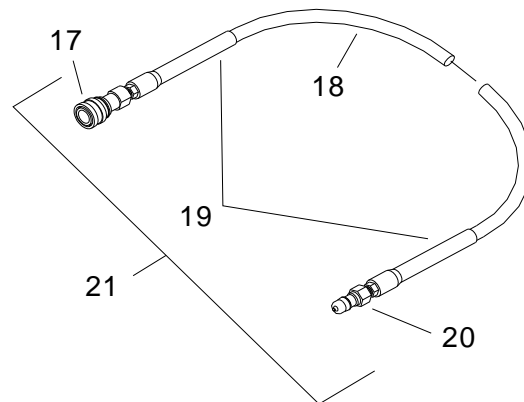
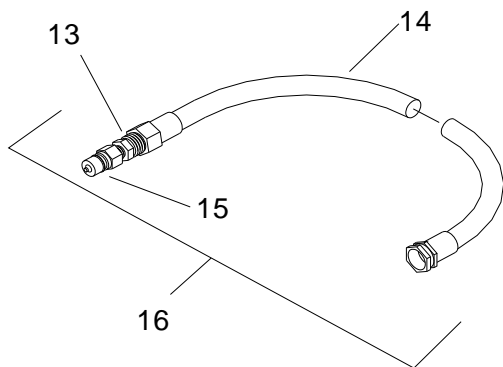
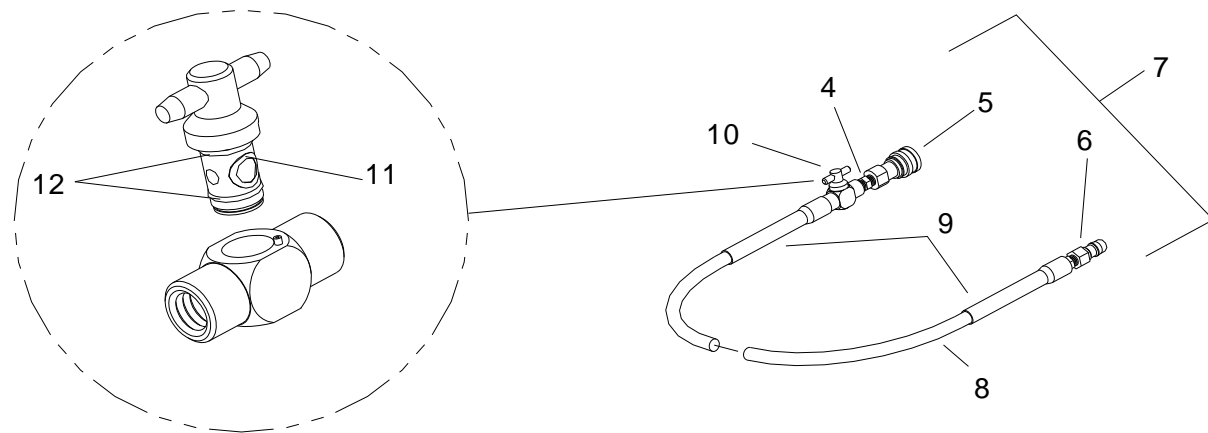
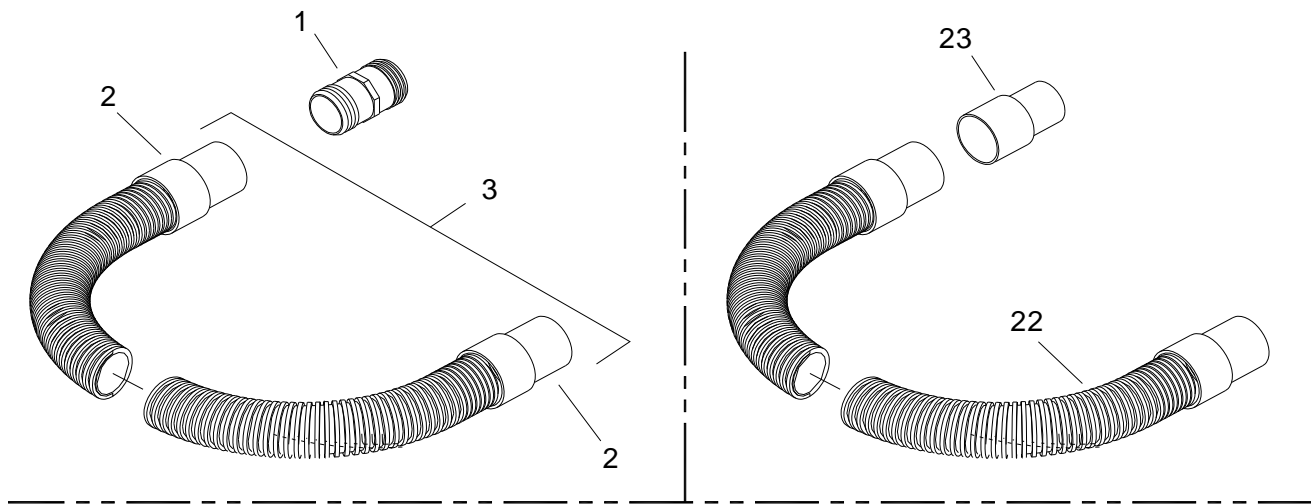
100 Gallon Waste Tank



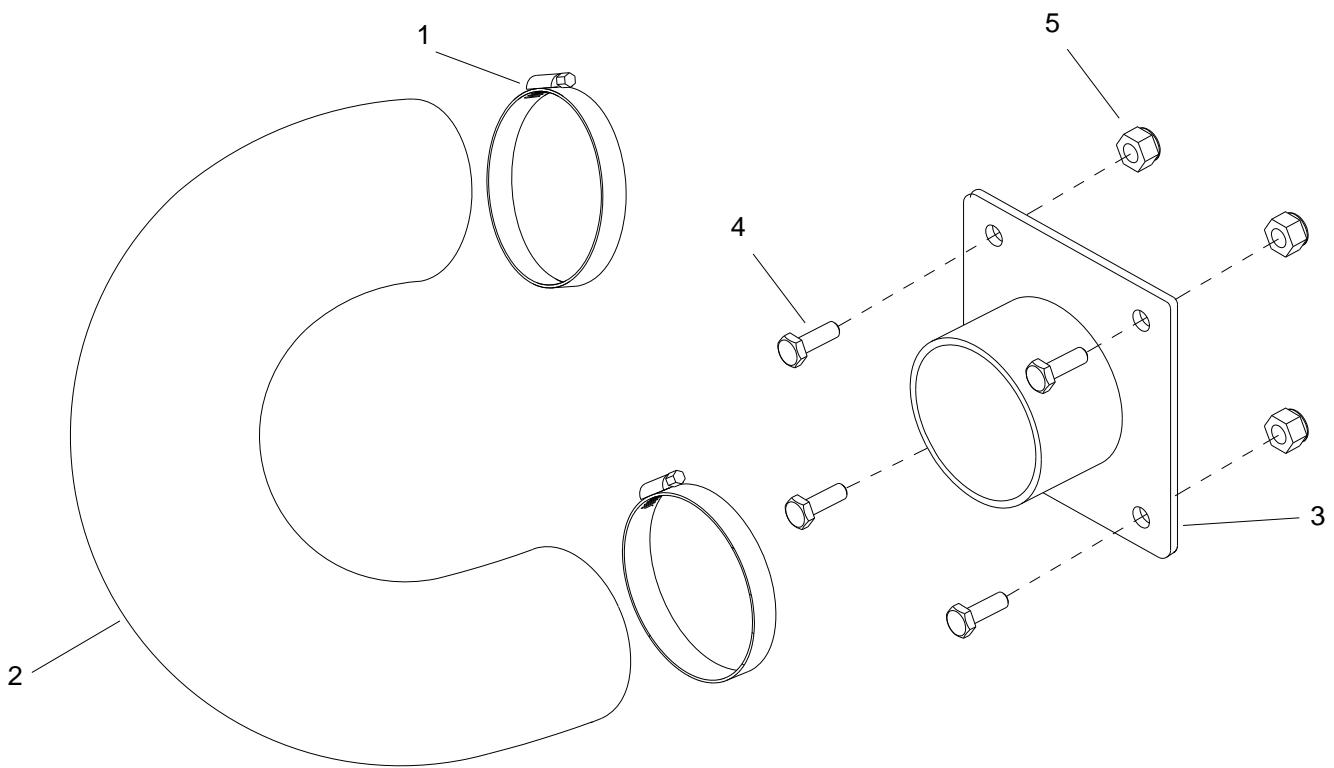
REF	PART NO.	PRV NO.	QTY	DESCRIPTION	SERIAL NO. FROM	NOTES
-	86329250	-	1	KIT, WASTE TANK 100 G, LGT/BGT PC		COMPLETE
1	86190530	11-800402	2	PLUG, 1-1/4 HXHD PVC		
2	86180340	12-800031	2	ELL, 1/4P X 1/4T BR		
3	86193540	14-806569	1	STRNR, WST TNK, RECT, 1.5		
4	86186860	46-802510	2	LATCH, DRAW 2-7/8 SST		
5	86043190	56-501793	1	STRAINER BOWL, AVENGER 450		
6	86005810	57245	8	NUT, 1/4-20 HEX NYLOCK SS		
7	86273020	67006	8	RIVET, 3/16 OD X 5/8 AL		
8	86273810	70018	8	SCR, 1/4-20 X 1 HHCS SS		
9	86010630	87013	8	WASHER, 1/4 X 5/8 FLAT SS		
10	86193870	791066	1	ASSY, LVL SENS SHTOF SW		
11	86202240	-	8	WASHER, SEAL 1/4 X 1 OD SS		
12	86325770	-	1	GASKET, 100G LID WST TNK		
13	86318560	-	1	GASKET, VAC OUTLET		
14	86325650	-	1	TANK, WASTE, 100G PC		
15	86325720	-	1	LID, 100G WST TNK, PC		
16	86321040	-	1	OUTLET, VACUUM, 2-7/8", PC		
17	86323650	-	1	INLET, 2-1/2" VACUUM, PC		
18	86323700	-	1	GASKET, VAC INLET		
19	86177010	03-000112	1	CLAMP, HOSE #48		
20	86272720	11-800345	1	PLG, 1/4 SOCHD BRASS		



REF	PART NO.	PRV NO.	QTY	DESCRIPTION	SERIAL NO. FROM	NOTES
1	86273780	70015	2	SCR, 1/4-20 X 3/4 HHCS SS NP		
2	86005680	57047	10	NUT, 1/4-20 HEX NYLOCK		
3	86174580	36-900056	1	BATTERY		
4	86012060	-	1	BOX, BATTERY, MODIFIED		
5	86273190	00-000132	4	SCR, 1/4-20 X 1-1/2 HXHD		
6	86270330	02-000066	8	FLATWASHER, 1/4		
7	86309890	-	1	BRKT, BATTERY BOX MTG		
8	86011470	-	4	BOLT, ELEVATOR, 1/4-20 X 1		

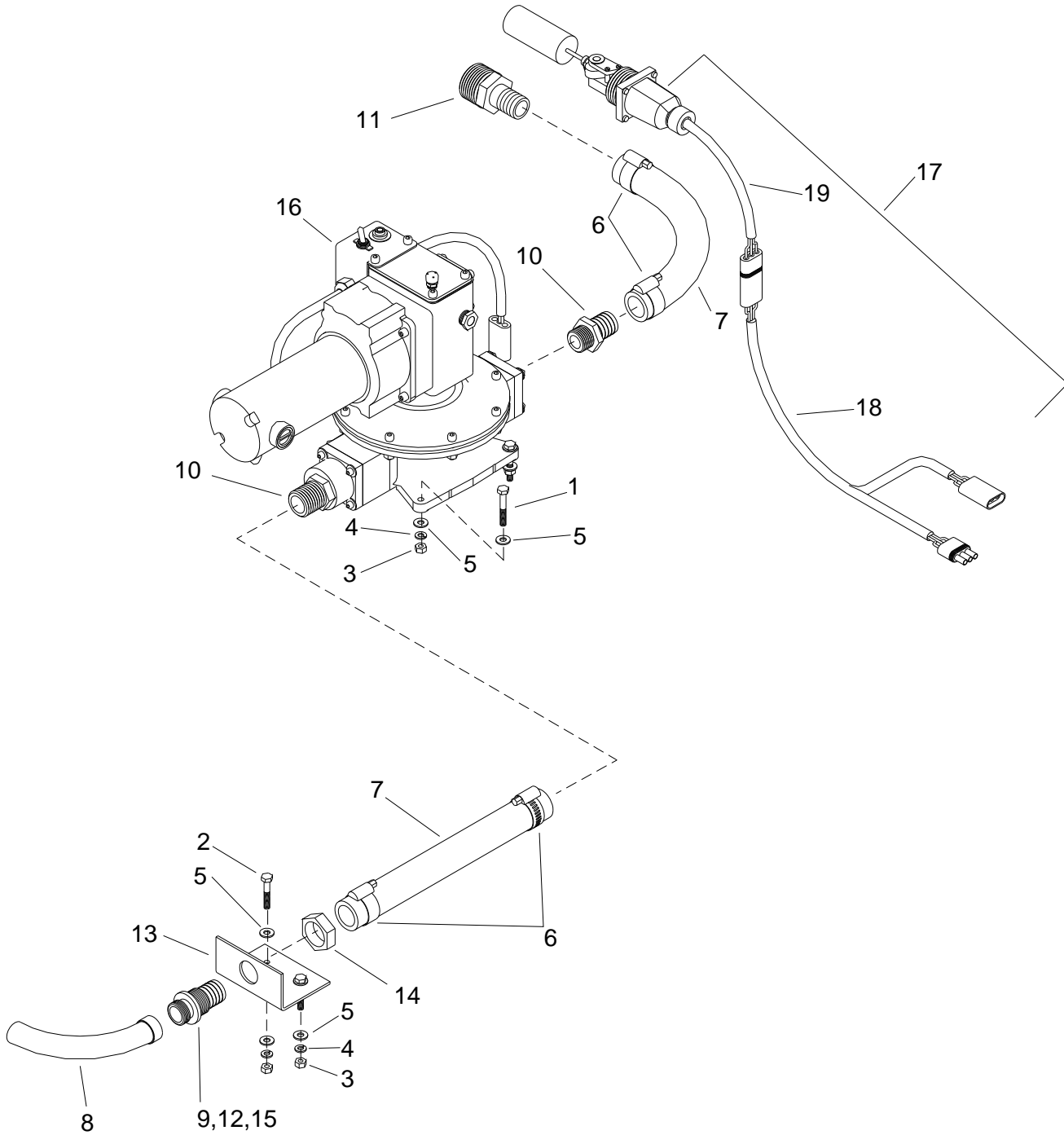


REF	PART NO.	PRV NO.	QTY	DESCRIPTION	SERIAL NO. FROM	NOTES:
1	86180980	12-800078	1	FITTING, BRB 2H BS PVC		
2	86178640	08-805147	2	CUFF, 2"		
3	86184510	10-805060	1	HOSE, VAC 2"X50' W/ CUFFS & HOSE		
4	86247680	56015	1	NIPPLE, 1/4 HEX		
5	86002450	22015	1	COUPLER, 1/4 QD		
6	86005580	56012	1	NIPPLE, 1/4 FPT QD		
7	86184530	10-805108	1	HOSE, HP 1/4 X 50FT W/QD & VLVE		
8	86184520	10-805077	1	HOSE, HP 1/4 X 50'		
9	86182800	08-805155	2	GUARD, HOSE VINYL		
10	86194990	15-808012	1	VALVE, BALL 1/4FP		
11	86189240	43-810014	2	O-RING, 7/32ID X 11/32OD		
12	86189250	43-810019	2	O-RING, 3/8 ID X 1/2 OD		
13	86188210	11-800354	1	NIP, 1/2 X 3/8 HEX BR		
14	86184570	10-805157	1	HOSE, WATER 1/2 X 50'		
15	86179630	13-806009	1	DISCONNECT 3/8M X 3/8FP		
16	86184620	10-805295	1	HOSE, WATER 1/2 X 50'		
17	86002450	22015	1	COUPLER, 1/4 QD		
18	86184520	10-805077	1	HOSE, HP 1/4 X 50'		
19	86182800	08-805155	2	GUARD, HOSE VINYL		
20	86005580	56012	1	NIPPLE, 1/4 FPT QD		
21	86184540	10-805122	1	HOSE, HP 1/4 X 50FT W/QD		
22	86328140	-	1	HOS, VAC 2-1/2" X 50' W/CUFFS & HOSE		
23	86328150	-	1	COUPLER, HOS 2-1/2" TO 2" REDUCER		

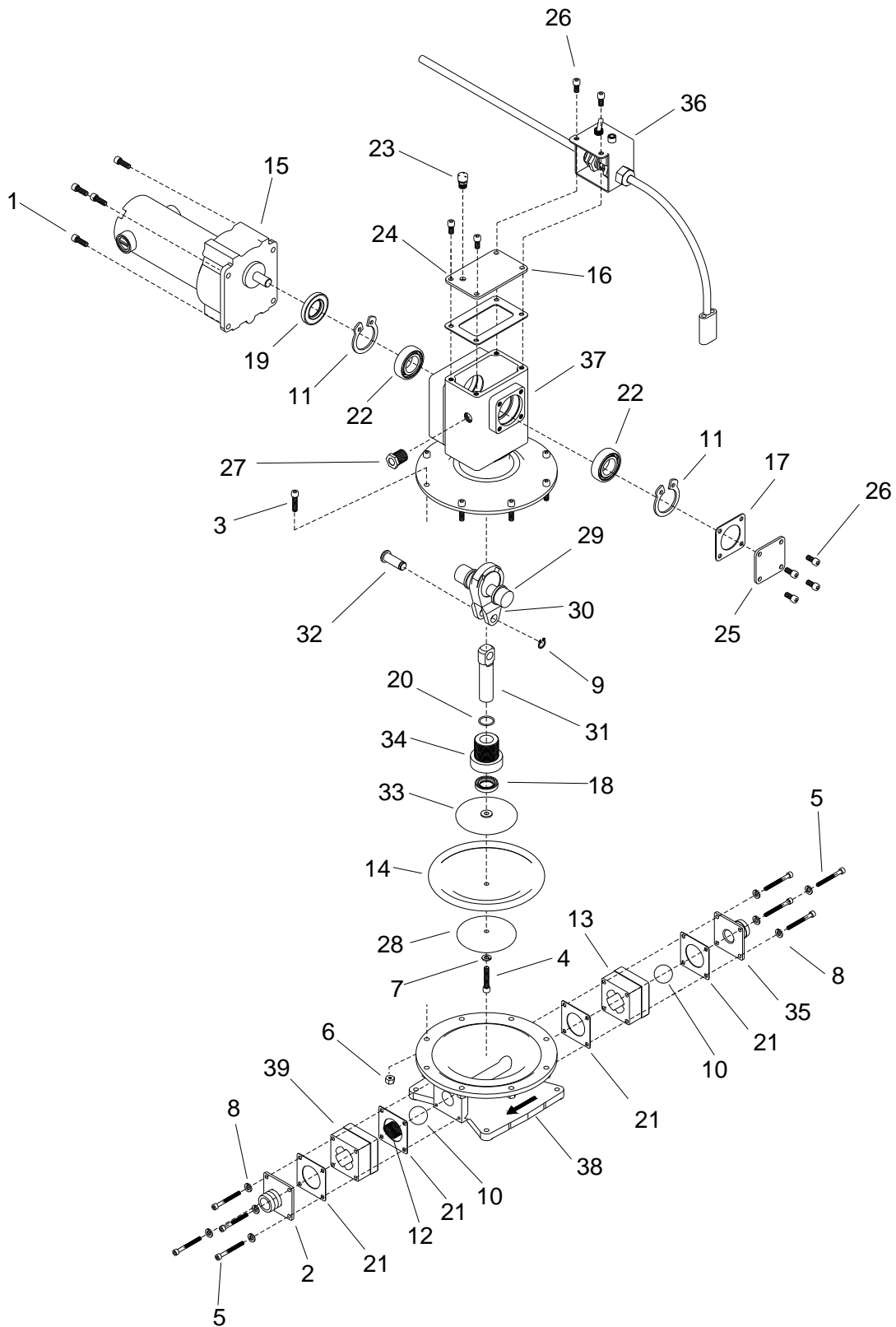


REF	PART NO.	PRV NO.	QTY	DESCRIPTION	SERIAL NO. FROM	NOTES
1	86177010	03-000112	2	CLAMP, #48 HOSE		
2	86280600	09-805487	1	HOSE, 3" X 17" FLEXABLE		
3	86181110	56-502131	1	FLANGE, VAC EXH DUCT KIT LG		
4	86192060	00-000376	4	SCREW, 1/4-20 X 1-1/4" SST		
5	86005810	57245	4	NUT, 1/4-20 HEX NYLOCK SS		
-	86030440	47447	1	KIT, EXHAUST 3"ID, SINGLE		KIT COMPLETE

Automatic Pumpout - Optional

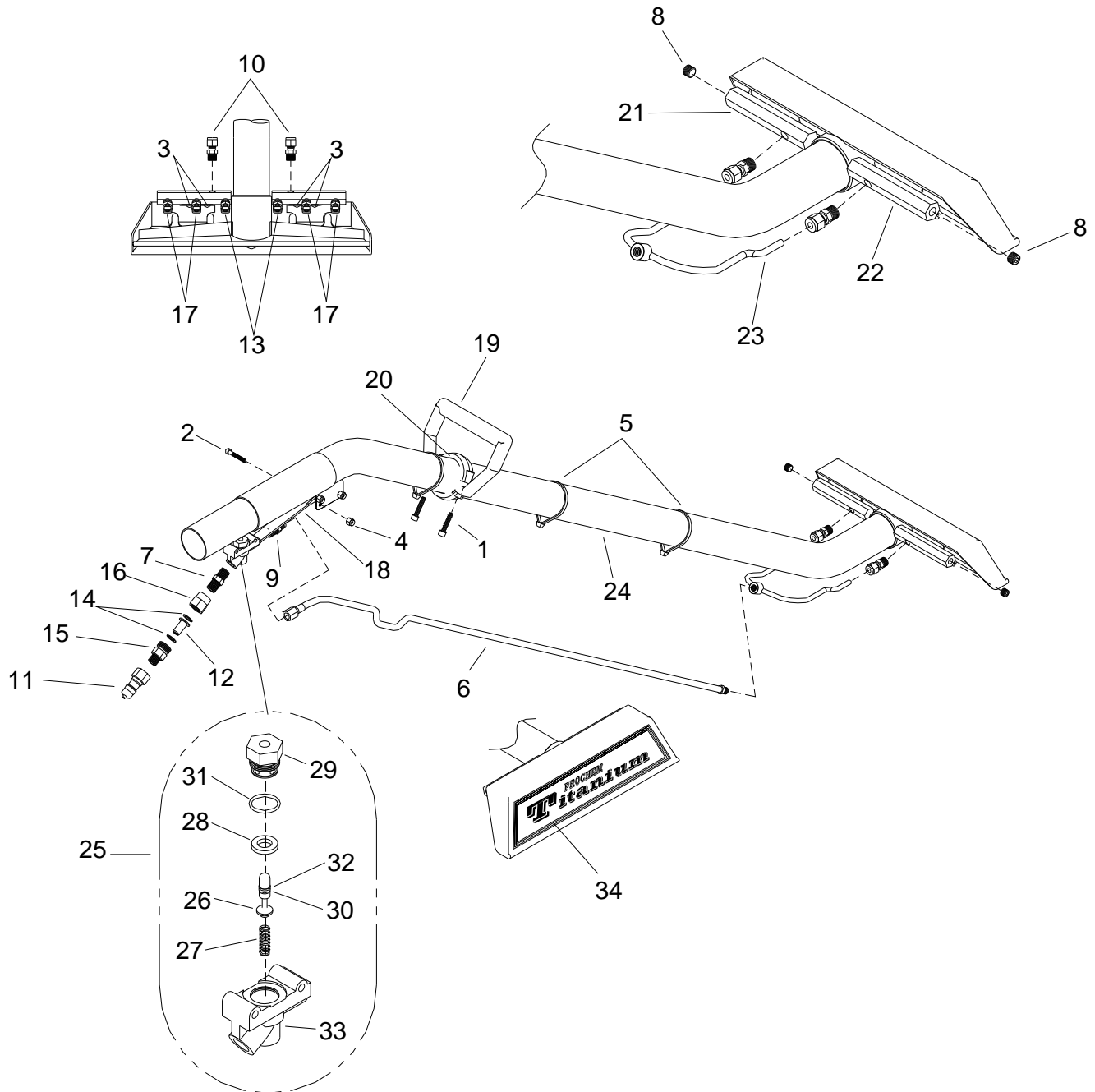


REF	PART NO.	PRV NO.	QTY	DESCRIPTION	SERIAL NO. FROM	NOTES
1	86274150	70105	4	SCR, M4 X 60 PH		
2	86273190	00-000132	2	SCR, 1/4-20 X 1/ 1/2 HXHD		
3	86270770	57006	4	NUT, 1/4-20 HEX		
4	86010780	87162	4	WASHER, 1/4 SPLIT LOCK PLTD		
5	86270330	02-000066	4	FLATWASHER, 1/4		
6	86177050	03-000176	4	CLAMP, HOSE #16		
7	86280680	09-805591	1	HOSE, WASTE PUMP 1" X 8'		
8	86184780	10-805484	1	HOSE, GARDEN 3/4 X 75'		
9	86176420	12-800052	1	CAP, HOSE 3/4 BR		
10	86181430	12-800367	1	FTTG, BRB 1PX1H BR		
11	86181440	12-800444	1	FTTG, 1-1/4P X 1" H BR		
12	86195820	43-807008	1	WASHER, HOSE 5/8 ID 1" OD		
13	86175720	50-502055	1	BRKT, CTR HOOD FR		
14	86188970	52-000123	1	NUT, 1-3/16-12 UN HXHD		
15	86162270	52-501993	1	CONN, HOSE WATER OUTL		
16	86191380	61-951306	1	PUMP, HD AUTO		
17	86174260	61-951319	1	ASSY, LVL SENS SHUT OFF SW		
18	86195860	23719	1	CORD ASM, CNCTN SIDE		
19	86195910	72185	1	SWITCH ASSEMBLY		



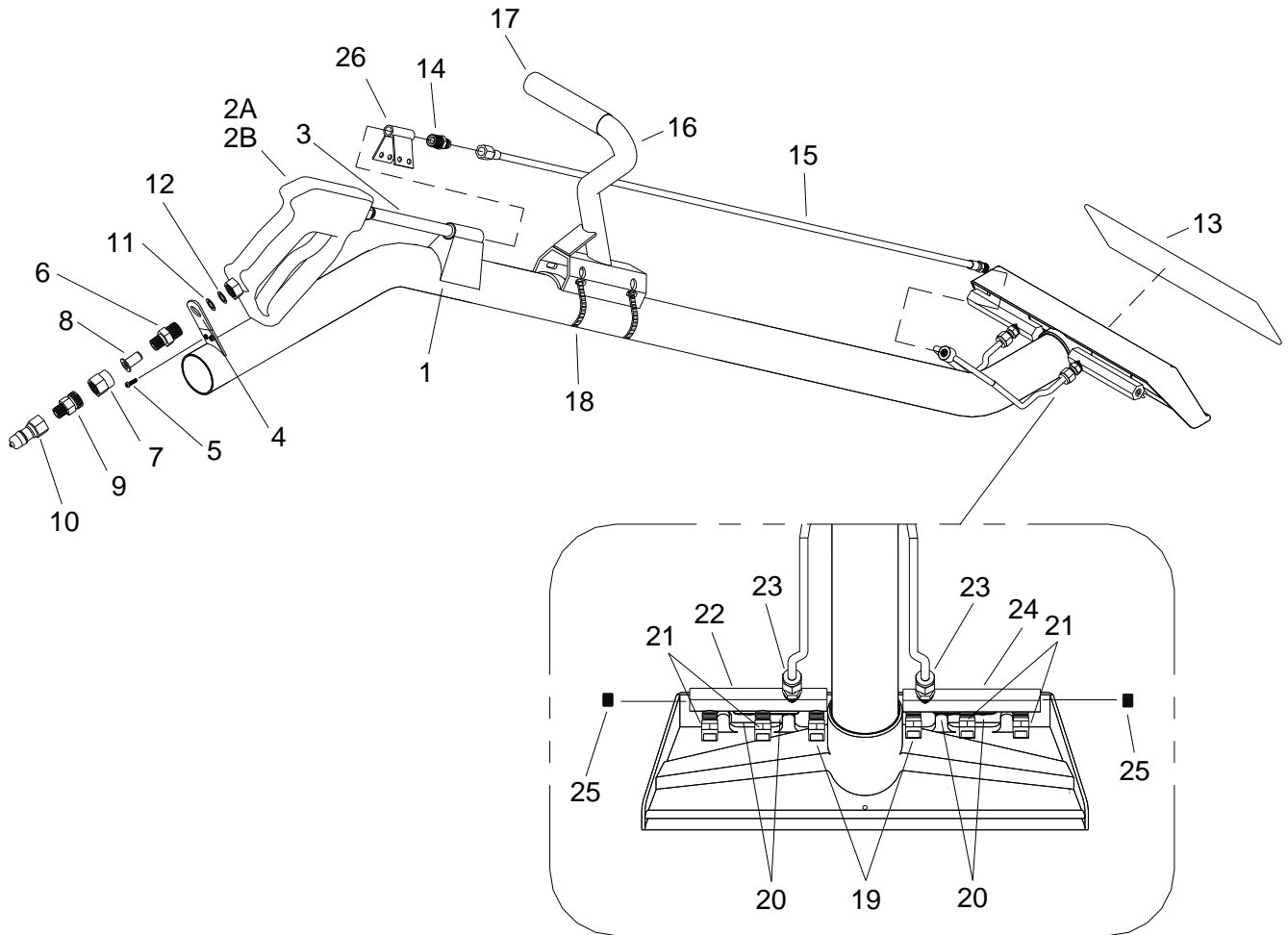
REF	PART NO.	PRV NO.	QTY	DESCRIPTION	SERIAL NO. FROM	NOTES
1	86273250	00-000210	4	SCR, 1/4-20 X 3/4 SOCHD		
2	86178820	52-502064	1	CVR, OUTLET WST PMP-OUT		
3	86192020	00-000312	8	SCR, CAP 1/4 X 1 SOCHD		
4	86273550	00-000399	1	SCR, CAP 1/4 X 1 3/8 SOC		
5	86273280	00-000241	8	SCR, CAP 10-32 X 2 SOCHD SS		
6	86005810	57245	8	NUT, 1/4-20 HEX NYLOCK SS		
7	86010780	87162	1	WASHER, 1/4 SPLIT LOCK		
8	86279470	87165	8	WASHER, #10 SPLIT LOCK		
9	86024840	04-000312	1	RING, RETAIN EXT 1/2		
10	86174520	04-000334	2	BALL, NYL ID		
11	86024850	04-000335	2	RING, SNAP 1-7/8D		
12	86193250	04-000342	1	SPRING, PUMP-OUT BALL PRESS		
13	86174700	52-502061	1	BDY, INLET WST PMP-OUT		
14	86179530	16-808241	1	DIAPH, WST TNK PMP-OUT		
15	86187870	40-902151	1	MOTOR, 1/8HP 12V		
16	86182540	43-807117	1	GSKT, CVR TOP PMPOUT		
17	86182550	43-807118	1	GSKT, CVR SD PMPOUT		
18	86192300	43-810091	1	SEAL, PUMPOUT SHFT		
19	86192350	43-810100	1	SEAL PUMPOUT CAM		
20	86189600	43-810101	1	O-RING, 800/1000 .072		
21	86189280	43-810106	4	O-RING, 1-13/16 ID X 2 OD HDWP		
22	86175530	45-801927	4	BRG, SHFT PUMP-OUT		
23	86195190	49-876301	1	VENT, UPR SHFT BRNG HSG		
24	86050890	50-502025	1	PL, CVR TOP PUMP-OUT		
25	86024860	50-502026	1	PL, CVR SD PUMP-OUT		
26	86274110	70094	8	SCR, 1/4-20 X 1/2 SHCS SS		
27	86181680	11-800504	1	GA, FLOW SIGHT 3/8 NPT		
28	86175830	52-501828	1	BTM, PLNGR WST TNK PMP-OUT		
29	86192690	52-501829	1	SHT, 3/4" STROKE WST TNK		
30	86191550	52-501914	1	RD, CONNECT WST PMP-OUT		
31	86182810	52-501915	1	GUIDE, PLNGR WST PUMP-OUT		INCL. 18, 30, 32
32	86024870	52-501921	1	PIN, WRIST PUMP-OUT		
33	86194640	52-501934	1	TOP, PLNGR PUMP-OUT		
34	86176020	52-501950	1	BUSH, THREADED		
35	86178810	52-502062	1	CVR, INLET WST PMP-OUT		
36	86045790	56-502428	1	BRKT, PMP-OUT SW/CCT BRKR		
37	86024880	52-501821	1	TOP, WST TNK PUMP-OUT		
38	86174550	52-501820	1	BASE, WST TANK PMP-OUT		
39	86174710	52-502063	1	BDY, INLET WST PMP-OUT		

Wand - Titanium Six Jet - Optional



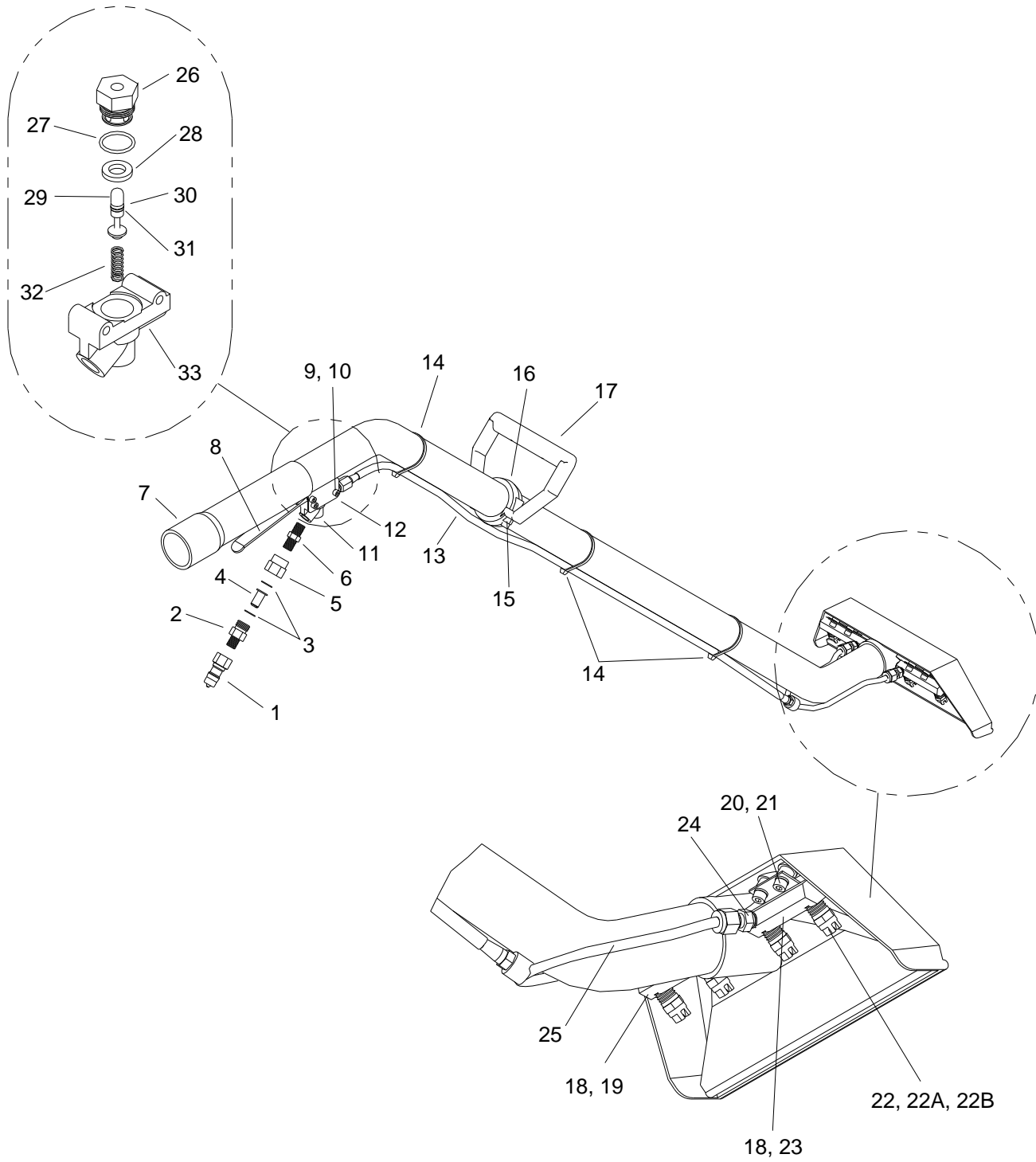
REF	PART NO.	PRV NO.	QTY	DESCRIPTION	SERIAL NO. FROM	NOTES
1	86273310	00-000282	2	SCR, CAP 1/4-20 X 1 1/4 SOC		
2	86192030	00-000317	2	SCR, CAP 10-32 X 1 1/4 SOCH		
3	86006680	70228	4	SCR, 10-32 X 1/4 PPHMS SS		
4	86270990	57090	2	NUT, 10-32 HEX NYLOCK SS		
5	86264910	04-000093	2	TIE, CABLE 13"		
6	86184270	10-805504	1	HOSE, 3/16 X 44-1/2		
7	86247680	56015	1	NIPPLE, 1/4 HEX		
8	86190180	11-800206	2	PLUG, 1/8 SOCHD BR		
9	86177650	12-800060	1	CONN, 1/4P X 1/4T BR		
10	86177710	12-800322	2	CONN, 1/8P X 1/4T COMP BR		
11	86005580	56012	1	NIPPLE, 1/4 FPT QD		
12	86193490	14-806512	1	STRAINER, JET 50 MESH		
13	86194450	17-803018	2	TIP, SPRAY 9501 X 1/8P SST		
14	86195570	17-803006	2	WASHER, NYLON		
15	86177860	17-803010	1	CONN, 1/4P X 11/16-16M		
16	86177870	17-803036	1	CONN, 1/4FP X 11/16-16F BR		
17	86194580	17-803078	4	TIP, SPRAY 8001 SST \1/8 VJET		
18	86194650	52-501619	1	TRIGGER, WD VALVE		
19	86174680	52-502008BK	1	BODY, WD HDL, 2" TB, BK		
20	86198180	52-502009	1	HOLD DN-WD HDL 2" TUBE		
21	86187610	52-502057	1	MANFOLD, LEFT		
22	86187620	52-502058	1	MANIFOLD, RIGHT		
23	86174060	56-502548	1	ASSY, MNFLD S-BEND		
24	86285440	56-502534	1	WD & HD, TITANIUM		
25	86174120	61-950496	1	ASSY, EXTRACTOR VALVE		
26	86193360	16-808189	1	STEM, EXTRACTOR VALVE		
27	86193200	16-808190	1	SPRING, EXTRACTOR VALVE		
28	86192410	16-808228	1	SEAT, EXTRACTOR VALVE		
29	86183160	16-808229	1	HLDR, VLV STEM-EXTRACTOR VL		
30	86189510	43-810062	1	O-RING, .114 ID .254OD		
31	86189520	43-810063	1	O-RING, .551ID .691OD		
32	86174500	43-810064	1	BACK-UP, .250DIA		
33	86174630	52-501590	1	BDY, EXTRACTOR VLV		
34	86179250	48-941462	1	DEC, WD HD TITANIUM		

Wand - Ergo Titanium Six Jet - Optional



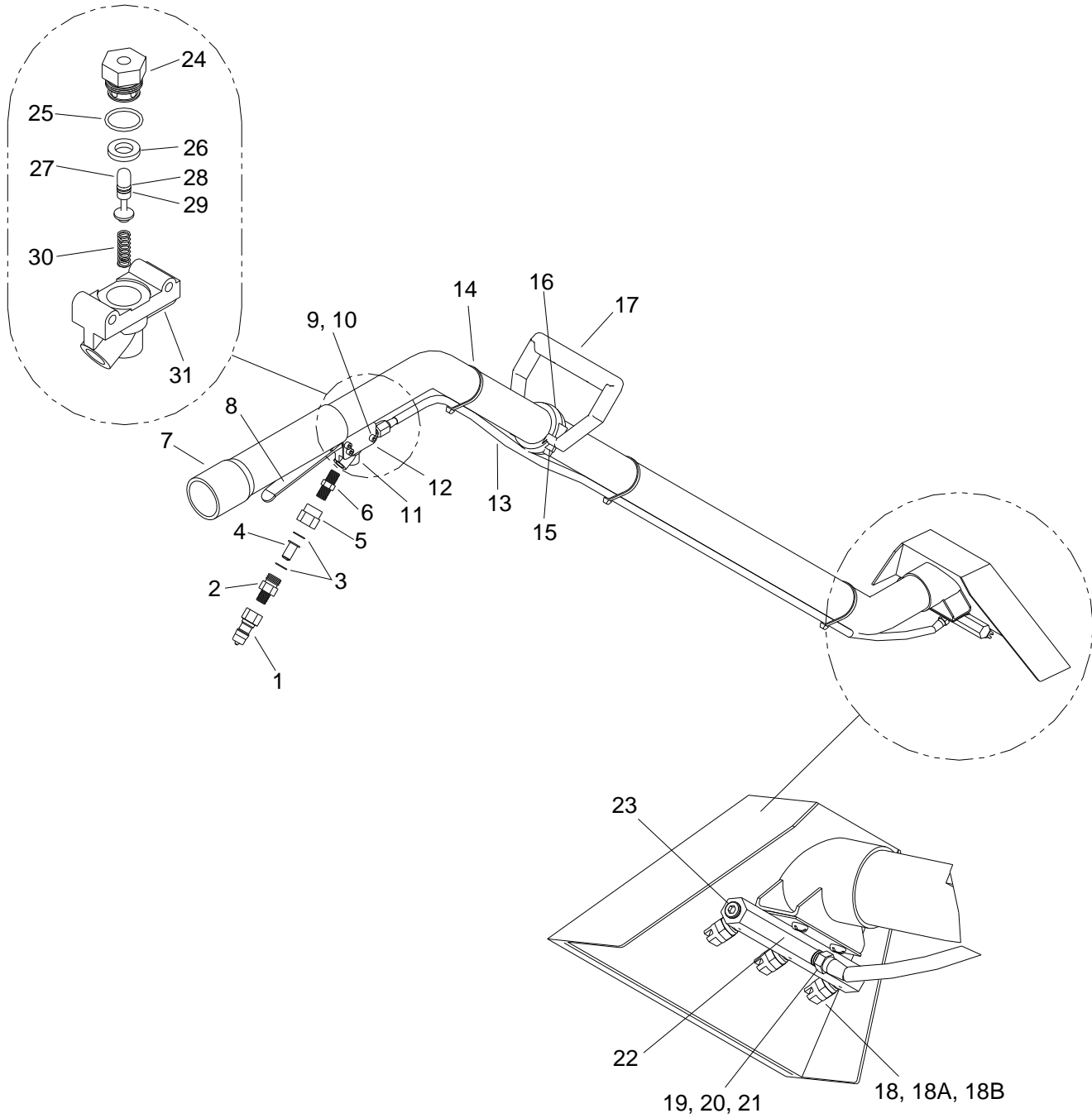
REF	PART NO.	PRV NO.	QTY	DESCRIPTION	SERIAL NO. FROM	NOTES
-	86326900	-	1	WAND, ERGO TI		COMPLETE
1	86195560	791121	1	WAND/HEAD WELDMENT		
2A	86182820	17-803025	1	GUN, PRESS WASH TM		
2B	86011740	-	1	YG5000 SPRAY GUN ASM		
3	86188590	791122	1	NIPPLE, 1/4 X 5 SS		
4	86175760	791123	1	BRKT, HNDL, CLMP		
5	86277760	791124	2	SCR, 8-32 X 1/4 SHCS SS		
6	86188280	11-800381	1	NIP, 3/8 X 1/4 HX SST		
7	86177870	17-803036	1	CONN, 1/4FP X 11/16-16F BR		
8	86193490	14-806512	1	STRNR, JET 50 MESH		
9	86177860	17-803010	1	CONN, 1/4 X 11/16-16M		
10	86005580	56012	1	NIP, 1/4 FPT QD		
11	86195600	791127	1	WASHER, BLK WD		
12	86195610	791128	1	WASHER, FLAT SS WD		
13	86179020	48-941186	1	DEC, WD HD (CAST SST) TM		
14	86177650	12-800060	1	CONN, 1/4P X 1/4T BR		
15	86031580	10-805245	1	HOSE, 3/16 X 40-1/2		
16	86183110	46-802553	1	HDL, TITANIUM WND W/SPYR		
17	86182120	791125	1	GRIP, BLU HANDLE		
18	86177150	791126	2	CLAMP, #38 HOSE SS		
19	86194450	17-803018	2	TIP, SPRY 9501 X 1/8P SST		
20	86270990	57090	4	NUT, 10-32 HEX SS NYLOCK		
21	86194580	17-803078	4	TIP, SPRAY 8001 SST 1/8 VJE		
22	86187620	52-502058	1	MNFLD, LT TITAN		
23	86177710	12-800322	2	CONN, 1/8P X 1/4T COMP BR		
24	86187610	52-502057	1	MNFLD, RT TITAN		
25	86190180	11-800206	2	PLG, 1/8 SOCHD BR		
26	86175660	140160	1	BRKT, MANIFOLD, WAND		
-	86186100	47453	1	KIT, REPAIR 17-803025		NOT SHOWN

Wand - Quad Jet - Optional



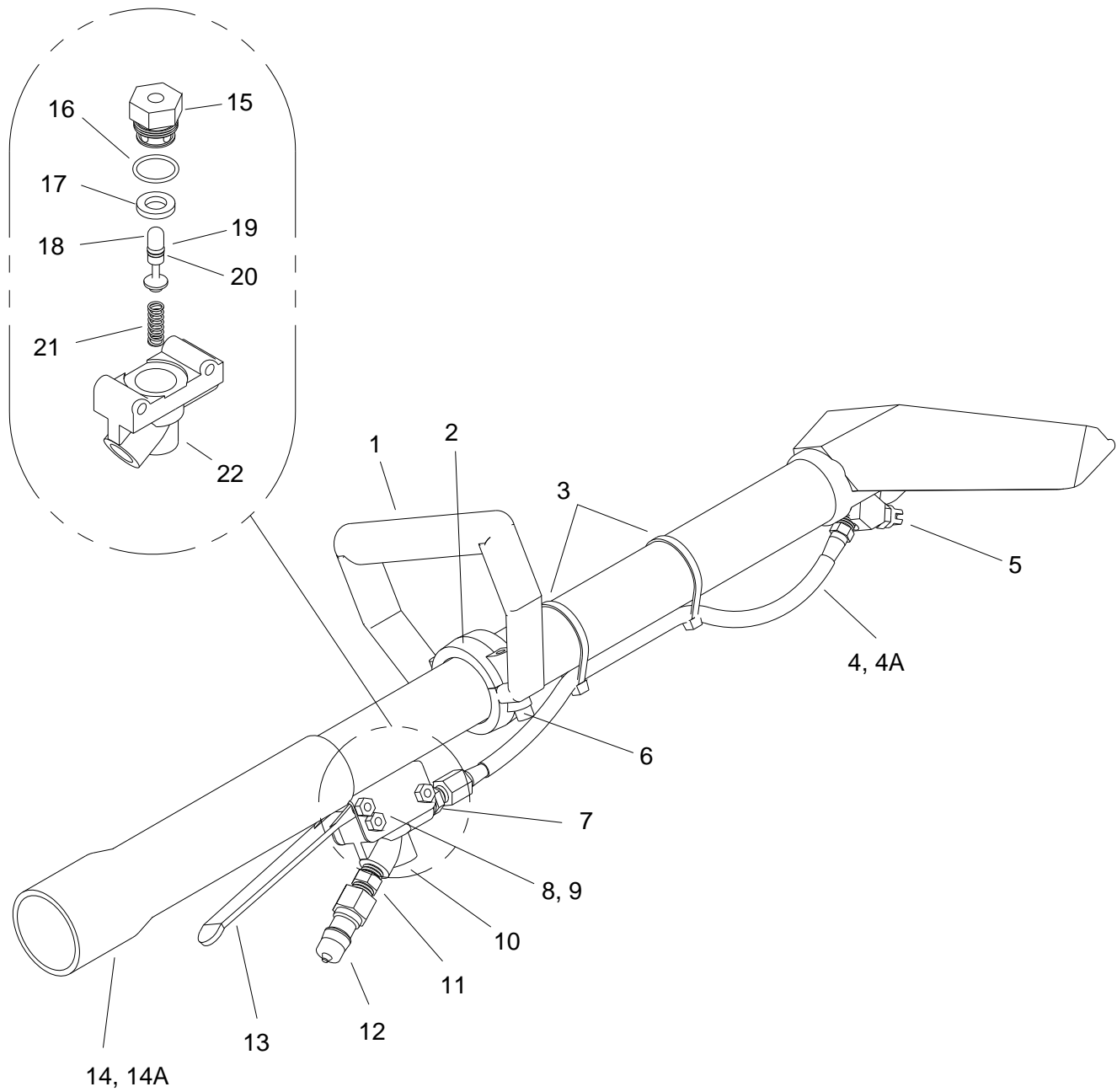
REF	PART NO.	PRV NO.	QTY	DESCRIPTION	SERIAL NO. FROM	NOTES
1	86005580	56012	-	NIPPLE, 1/4 FPT QD		
2	86177860	17-803010	1	CONN, 1/4P X 11/16-16M		
3	86195570	17-803006	1	WASHER, NYLON		
4	86193490	14-806512	2	STRAINER, JET 50 MESH		
5	86177870	17-803036	1	CONN, 1/4FP,11/16-16R BR		
6	86247680	56015	1	NIPPLE, 1/4 HEX		
7	86280020	09-805359	1	SLEEVE, WD HDL 9.5		
8	86194650	52-501619	1	TRIGGER, WD VLV		
9	86192030	00-000317	3	SCR, CAP 10-32X 1-1/4 SOCH		
10	86270990	57090	3	NUT, 10-32 HEX NYLOCK SS		
11	86174120	61-950496	1	ASSY, EXTRCTR VLV		
12	86177650	12-800060	1	CONN, 1/4P X 1/4T BR		
13	86183970	10-805387	1	HOSE, 3/16 X 43-1/2 (1/8P X 1/4)		
14	86265730	04-000053	3	TIE, CABLE 8" WHT		
15	86273310	00-000282	2	SCR, CAP 1/4-20 X 1-1/4 SOC		
16	86198160	52-501569	1	HOLD DOWN, WD HDL		
17	86182840	791150	1	BODY, WD HDL		
18	86190180	11-800206	2	PLUG, 1/8 SOCHD BR		
19	86043300	56-501966	1	ASSY, L S-BEND MNFLD		
20	86273450	00-000347	4	SCR, CAP 10-24 X1/4 SOCHD		
21	86279470	87165	4	WASHER, #10 SPLIT LOCK		
22	86194400	17-803001	4	TIP, SPRY 95015X1/8P SST		89238
22A	86194410	17-803002	4	TIP, SPRY 9502X1/8P SST		89239
22B	86194450	17-803018	4	TIP, SPRY 9501X1/8P SST		89237 89235 (NO DECAL)
23	86043310	56-501986	1	ASSY, RT S-BEND MNFLD		
24	86177710	12-800322	2	CONN, 1/8PX1/4T COMP BR		
25	86174030	56-501967	1	ASSY, S-BEND MNFLD		
26	86183160	16-808229	1	HOLDER, VLV STEM-EXTRCTR VL		
27	86189520	43-810063	1	O-RING, .551 ID .691 OD		
28	86192410	16-808228	1	SEAT, EXTRCTR VLV		
29	86193360	16-808189	1	STEM, EXTRCTR VLV		
30	86174500	43-810064	1	BACK-UP, .250 DIA		
31	86189510	43-810062	1	O-RING, .144 ID .254 OD		
32	86193200	16-808190	1	SPRING, EXTRCTR VLV		
33	86174630	52-501590	1	BODY, EXTRCTR VLV		
-	86179020	48-941186	1	DECAL, WD HD (CAST SS)		
-	86186160	66-808169	-	KIT, REP-WD VLV		INCLUDES PARTS 27-29 & 31-33
-	86285570	89238	-	WAND, TM, QJW (95015) PC		COMPLETE
-	86285580	89239	-	WAND, TM, QJW (9502) PC		COMPLETE
-	86285560	89237	-	WAND, TM QJW (9501) PC		COMPLETE
-	86285540	89235	-	WAND, TM, QJW, (9501) NO DECAL		COMPLETE

Wand - Tri Jet - Optional

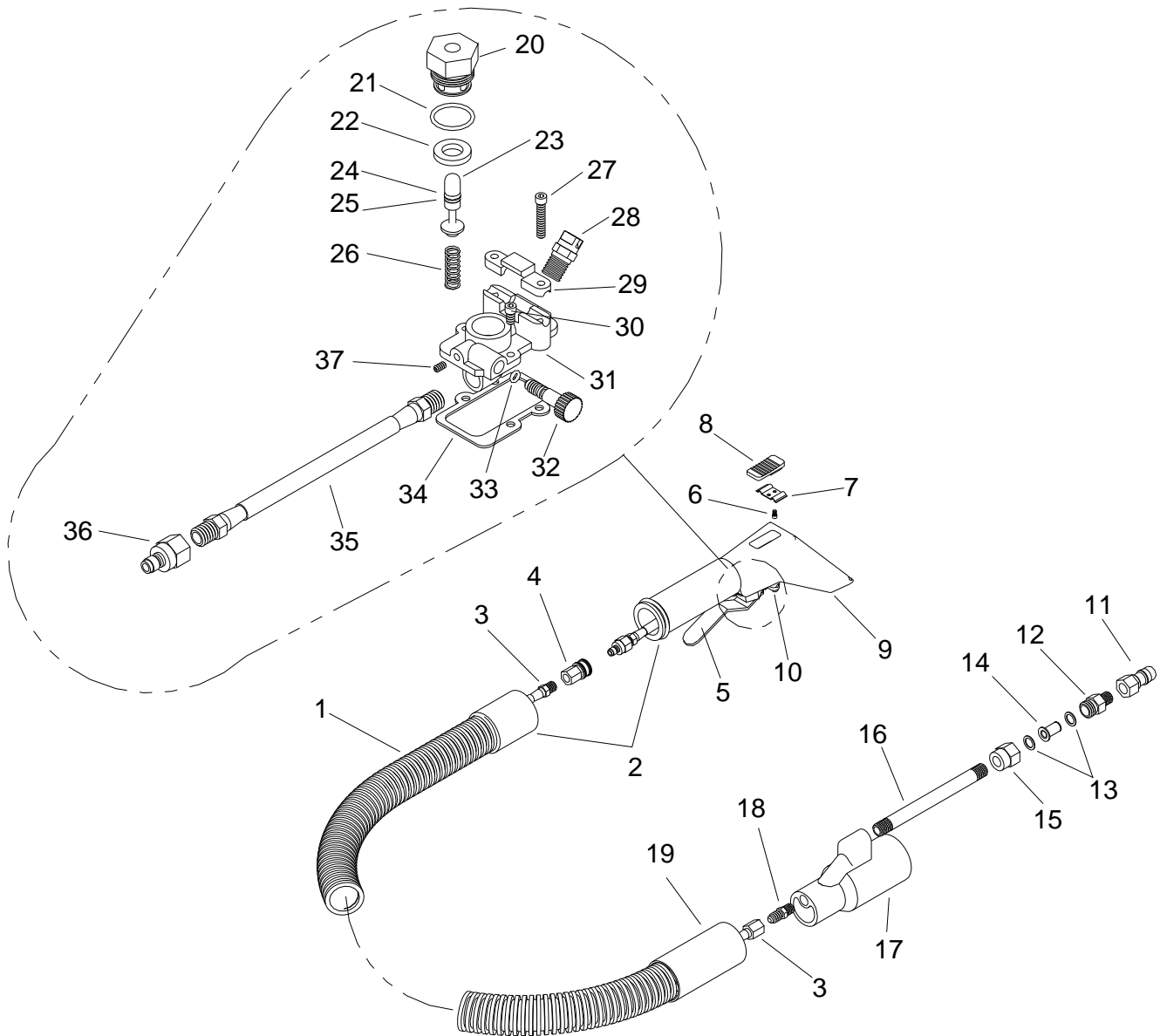


REF	PART NO.	PRV NO.	QTY	DESCRIPTION	SERIAL NO. FROM	NOTES
1	86005580	56012	1	NIPPLE, 1/4 FPT QD		
2	86177860	17-803010	1	CONN, 1/4P X 11/16-16M		
3	86195570	17-803006	2	WASHER, NYLON		
4	86193490	14-806512	1	STRAINER, JET 50MESH		
5	86177870	17-803036	1	CONN, 1/4FP, 11/16-16R BR		
6	86247680	56015	1	NIPPLE, 1/4 HEX		
7	86280020	09-805359	1	SLEEVE, WD HDL 9.5		
8	86194650	52-501619	1	TRIGGER, WD VLV		
9	86192030	00-000317	3	SCR, CAP 10-32X 1-1/4 SOCH		
10	86270990	57090	3	NUT, 10-32 HEX NYLOCK SS		
11	86174120	61-950496	1	ASSY, EXTRCTR VLV		
12	86177650	12-800060	1	CONN, 1/4P X 1/4T BR		
13	86183970	10-805253	1	HOSE, 3/16X49 (1/8P X 1/4FT)		
14	86265730	04-000053	3	TIE, CABLE 8" WHT		
15	86273310	00-000282	1	SCR, CAP 1/4-20 X 1-1/4 SOC		
16	86198160	52-501569	1	HOLD DOWN, WD HDL		
17	86182840	791150	1	BODY, WD HDL		
18	86194410	17-803002	3	TIP, SPRY 9502X1/8P SST		89233
18A	86194400	17-803001	3	TIP, SPRY 9501X1/8P SST		89232
18B	86194520	17-803046	3	TIP, SPRY 9503X1/8P SST		89234
19	86274290	70162	2	SCR, 10-32 X 3/8 PPHMS SS		
20	86279470	87165	2	WASHER, #10 SPLIT LOCK		
21	86270800	57014	2	NUT, 10-32 HEX SS		
22	86187700	56-501739	1	MANIFOLD, WD TRI-JET		
23	86190180	11-800206	2	PLUG, 1/8 SOCHD BR		
24	86183160	16-808229	1	HOLDER, VLV STEM-EXTRCTR VL		
25	86189520	43-810063	1	O-RING, .551 ID .691 OD		
26	86192410	16-808228	1	SEAT, EXTRCTR VLV		
27	86193360	16-808189	1	STEM, EXTRCT VLV		
28	86174500	43-810064	1	BACK-UP, .250DIA		
29	86189510	43-810062	1	O-RING, .114ID .254OD		
30	86193200	16-808190	1	SPRING, EXTRCTR VLV		
31	86179020	52-501590	1	BODY, EXTRCTR VLV		
-	86179020	48-941166	-	DECAL, WD HD		
-	86186160	66-808169	-	KIT, REP-WD VLV		INCLUDES PARTS 25-27 & 29-31
-	86285520	89233	-	WAND, TJW (9502) PC		COMPLETE
-	86285510	89232	-	WAND, TJW, (95015) CUBXL		COMPLETE
-	86285530	89234	-	WAND, TJW, (9503) PC		COMPLETE

Stair Tool - Optional

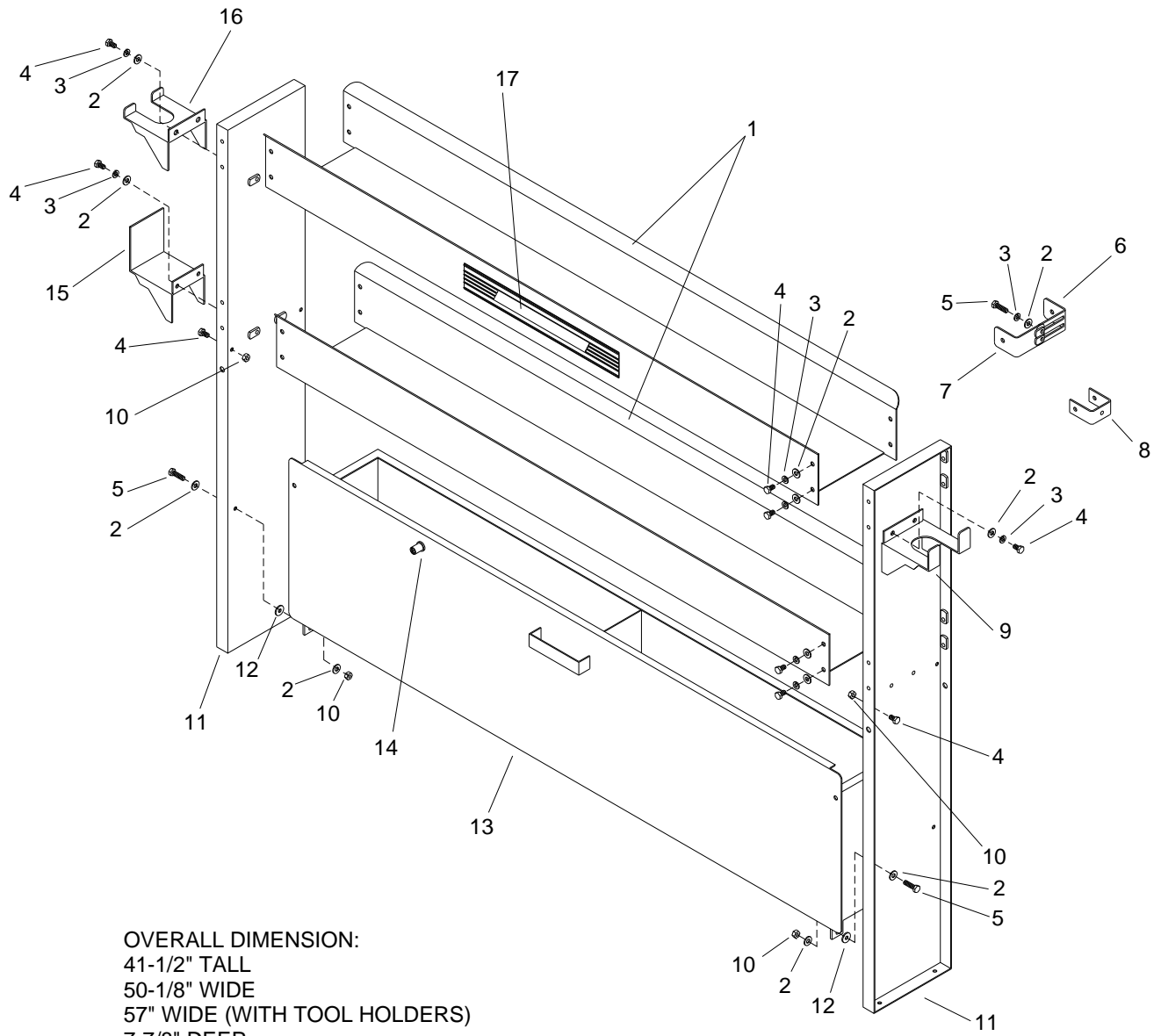


REF	PART NO.	PRV NO.	QTY	DESCRIPTION	SERIAL NO. FROM	NOTES
1	86198080	52-501576	1	BODY, WD HDL PORT		
2	86198170	52-501577	1	HOLD DOWN, WD HDL PORT		
3	86265730	04-000053	2	TIE, CABLE 8" WHT		
4	86183710	10-805330	1	HOSE, 3/16X13-3/4 (1/8PX1/4)		
4A	86184000	10-805397	1	HOSE, 3/16X7-1/2 (1/8P X 1/4F)		
5	86194410	17-803002	1	TIP, SPRY 9502X1/8P SST		
6	86273310	00-000282	2	SCR, CAP 1/4-20 X 1-1/4 SOC		
7	86177650	12-800060	1	CONN, 1/4P X 1/4T BR		
8	86192030	00-000317	3	SCR, CAP 10-32X1-1/4 SOCH		
9	86270990	57090	3	NUT, 10-32 HEX NYLOCK SS		
10	86174120	61-950496	1	ASSY, EXTRCTR VLV		
11	86247680	56015	1	NIPPLE, 1/4 HEX		
12	86005580	56012	1	NIPPLE, 1/4 FPT QD		
13	86194650	52-501619	1	TRIGGER, WD VLV		
14	86280020	09-805359	1	SLEEVE, WD HDL 9.5		
14A	86040950	09-805504	1	SLEEVE, STAIR TL HDL 7-1/8		
15	86183160	16-808229	1	HOLDER, VLV STEM-EXTRCTR VL		
16	86189520	43-810063	1	O-RING, .551 ID .691 OD		
17	86192410	16-808228	1	SEAT, EXTRCTR VLV		
18	86193360	16-808189	1	STEM, EXTRCTR VLV		
19	86174500	43-810064	1	BACK-UP, .250DIA		
20	86189510	43-810062	1	O-RING, .114 ID .254 OD		
21	86193200	16-808190	1	SPRING, EXTRCTR VLV		
22	86174630	52-501590		BODY, EXTRCTR VLV		
-	86178970	48-941163		DECAL, STAIR TL		
-	86186160	66-808169		KIT, REP-WD VLV		INCLUDES PARTS 16-19 & 20-22
-	86285350	78519	-	TL, STAIR, LNG, TM DJ (80015)		COMPLETE
-	86285290	78521	-	TL, STAIR, SHT, TM (80015)		COMPLETE

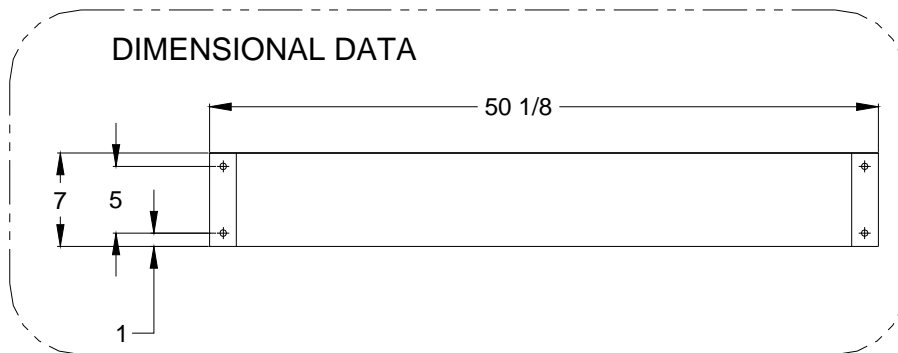


REF	PART NO.	PRV NO.	QTY	DESCRIPTION	SERIAL NO. FROM	NOTES
-	86285260	78513	1	TL, UPHOLST, PC (80015)		COMPLETE
1	86280240	09-805131	2	HOSE, VAC 1-1/4X10' BLU		
2	86178660	08-805243	1	CUFF, SWIV 1-1/4HX1-1/4T		
3	86184670	10-805347	1	HOSE, 3/16X119-1/2 (1/8PX1/4FT)		
4	86179720	13-806023	1	DSC, 1/8FC1/8FP SST		
5	86178550	58-500639	1	UPHOLSTERY TL TRIGGER		
6	86273370	00-000310	1	SCR, CAP 4-40 X7/32 SHCS SS		
7	86193050	04-000282	1	SPRING, VAC ADJ BUTT		
8	86176080	52-501624	1	BUTTON, VAC ADJ		
9	86194590	52-501842	1	TOOL, UPHOLSTERY		
10	86174140	61-950570	1	ASSY, UPHLST TL VLV		INCLUDES PARTS 20-26, 28, & 31- 37
11	86005580	56012	1	NIPPLE, 1/4 NPT QD		
12	86177860	17-803010	1	CONN, 1/4P X 11/16-16M		
13	86195570	17-803006	1	WASHER, NYLON		
14	86193490	14-806512	1	STRAIRNER, JET 50MESH		
15	86177870	17-803036	1	CONN, 1/4FPX11/16-16F BR		
16	86188320	11-800404	1	NIP, 1/4X5 SST		
17	86178520	52-501585	1	COUPLER, UPHLST TL		
18	86177660	12-800065	1	CONN, 1/8P X 1/4T		
19	86178630	08-805138	1	CUFF, 1 1/4H X 1 1/2T GRY		
20	86183160	16-808229	1	HOLDER, VLV STEM-EXTRCTR VL		
21	86189520	43-810063	1	O-RING, .551 ID .691 OD		
22	86192410	16-808228	1	SEAT, EXTRCTR VLV		
23	86193360	16-808189	1	STEM, EXTRCTR VLV		
24	86174500	43-810064	1	BACK-UP, 250DIA		
25	86189510	43-810062	1	O-RING, .144 ID .254 OD		
26	86189510	16-808190	1	SPRING, EXTRCTR VLV		
27	86273350	00-000306	2	SCR, 6-32 X 1 SCHD SS		
28	86194500	17-803033	1	TIP, SPRY 80015X1/8P SST		
29	86178540	58-500638	1	CSTG, TRIGGER CLMP		
30	86273360	00-000307	2	SCR, CAP 6-32X3/8 SOCHD		
31	86195210	52-501623	1	VALVE, UPHLST TL		
32	86195530	52-501626	1	VALVE, ADJ-UPHLST TL VLV		
33	86189460	43-810016	1	O-RING, 5/32IDX9/32OD VIT		
34	86182570	43-807513	1	GASKET, UPHLST TL VLV		
35	86183770	10-805348	1	HOSE, 3/16X6-1/2 (1/8P BS)		
36	86179740	13-806030	1	D SC, 1/8MX1/8FP SST		
37	86192070	00-000408	1	SCR, SET 3-32 X 1/4 SOCHD		
-	86178980	48-941164	1	DECAL, UPHLST TL		NOT SHOWN
-	86186160	66-808169	1	KIT, REPAIR-WAND VLV		NOT SHOWN INCLUDES PARTS 20-22 & 24-26

Shelf Assembly - Optional

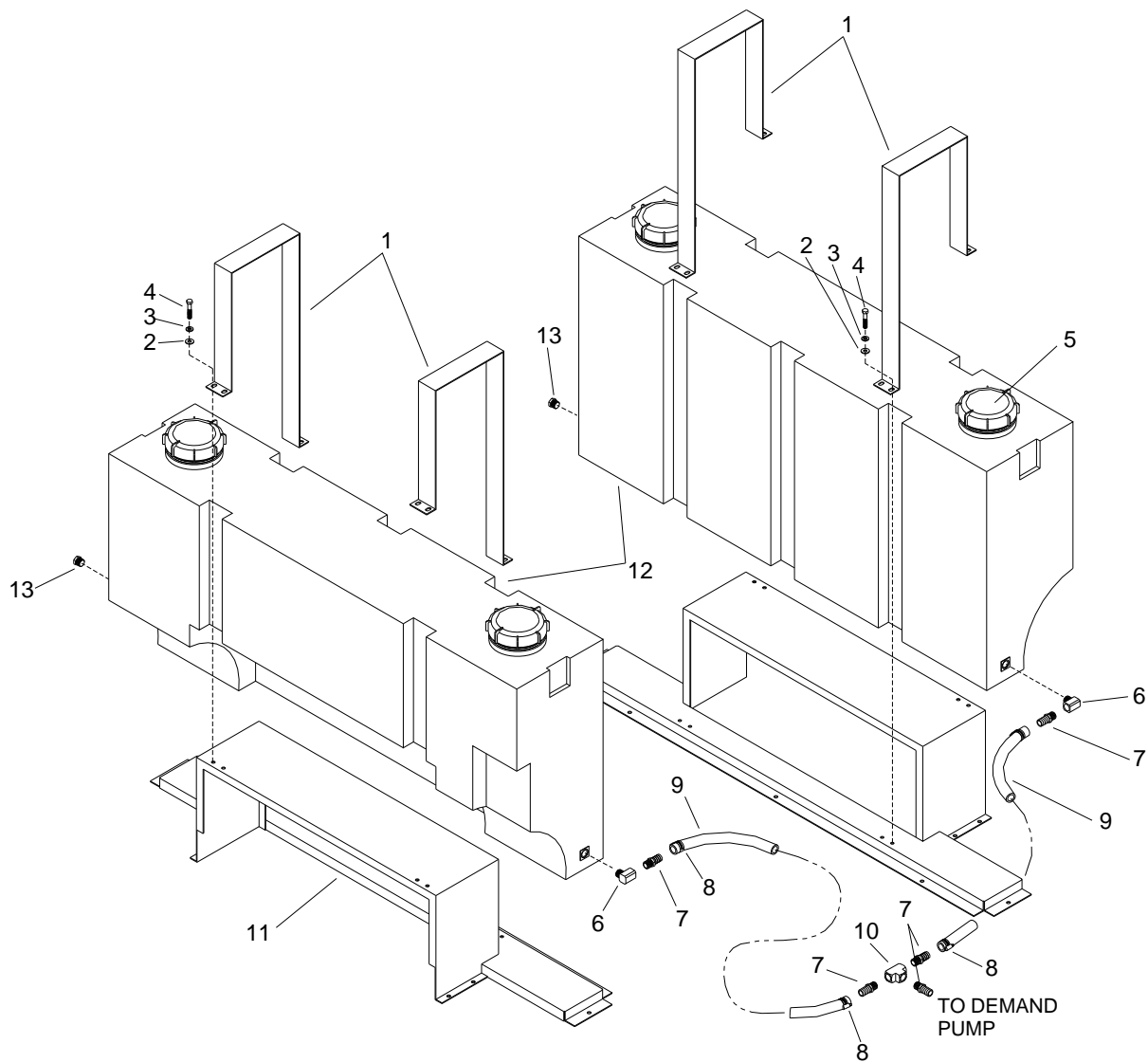


OVERALL DIMENSION:
 41-1/2" TALL
 50-1/8" WIDE
 57" WIDE (WITH TOOL HOLDERS)
 7-7/8" DEEP



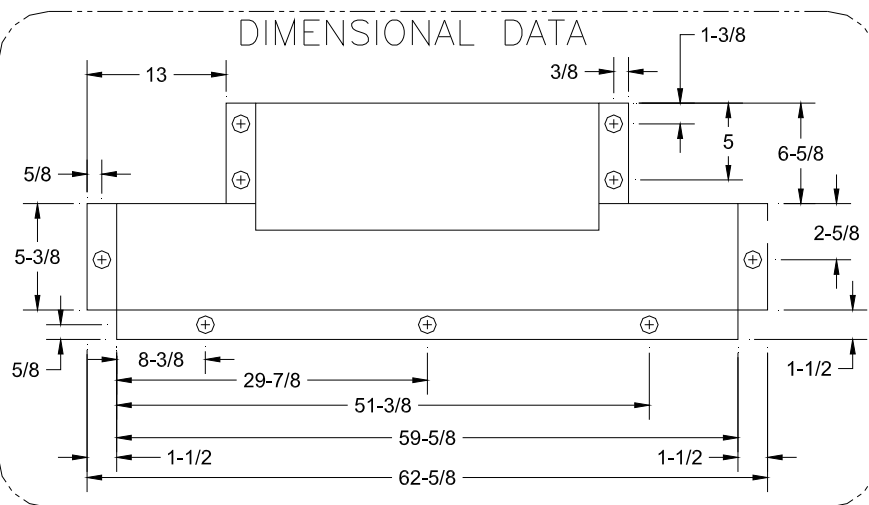
REF	PART NO.	PRV NO.	QTY	DESCRIPTION	SERIAL NO. FROM	NOTES
-	86285410	65-950392	1	VAN STORAGE UNIT		COMPLETE
1	86192680	56-501921	1	SHELF, LWR		
2	86270330	02-000066	20	FLATWASHER, 1/4		
3	86010780	87162	20	WASHER, 1/4 SPLIT LOCK		
4	86274760	70271	20	SCR, 1/4-20 X 1/2 HHCS PLTD		
5	86274750	70270	4	SCR, 1/4-20 X 3/4 HHCS PLTD		
6	86175710	50-501840	1	BRKT, ADJUST MTG SLOT		
7	86175730	56-502067	1	BRKT, ADJUST MTF HLDR		
8	86198090	56-501942	1	BRKT, SHELF MOUNTING		
9	86285120	41460	1	HOLDER, STAIR TOOL		
10	86270620	01-000105	4	LOCK NUT, 1/4-20 HXHD		
11	86024890	56-501922	2	PANEL, SHLF END		
12	86278840	50-501749	2	WASHER, NYLON		
13	86021920	56-501920	1	DRAWER, SHELF GRAY		
14	86186850	46-802506	1	LATCH, ADJ GRIP		
15	86183180	50-501755	1	HOLDER, UP TL HOSE		
16	86183170	50-501754	1	HOLDER, UPHST TL		
17	86179350	48-941152	1	DECAL, PROCHEM		
-	86162440	66-945424	1	KIT, ADJ BRKT.		INCLUDES PARTS 6,7 & MOUNTING HARDWARE

Water Tank, Dual With Demand Pump - Optional

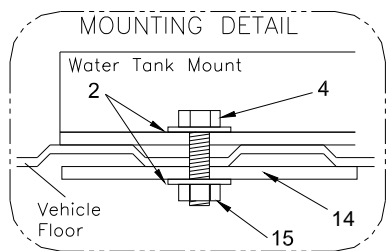


OVERALL DIMENSION:
 32-1/2" TALL
 62-5/8" WIDE
 15-1/2" DEEP

DIMENSIONAL DATA



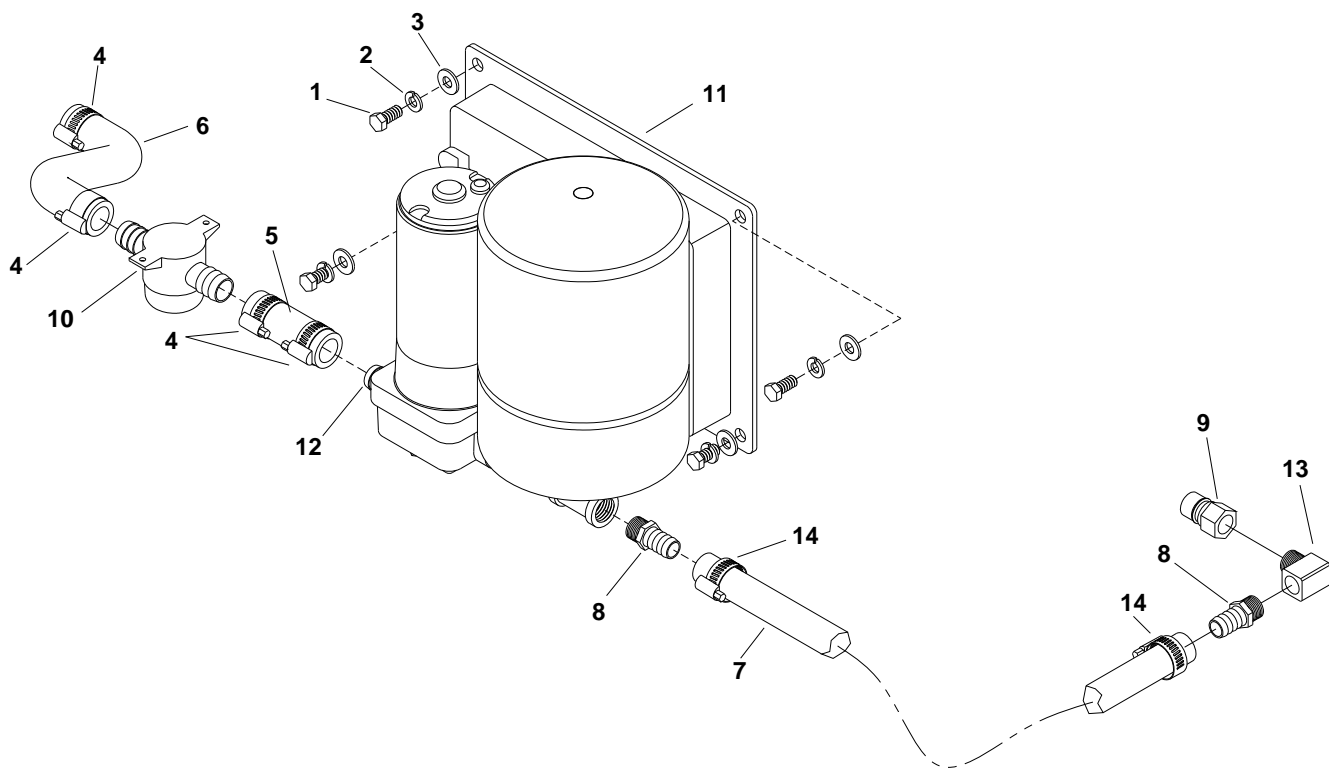
MOUNTING DETAIL



Water Tank, Dual With Demand Pump - Optional

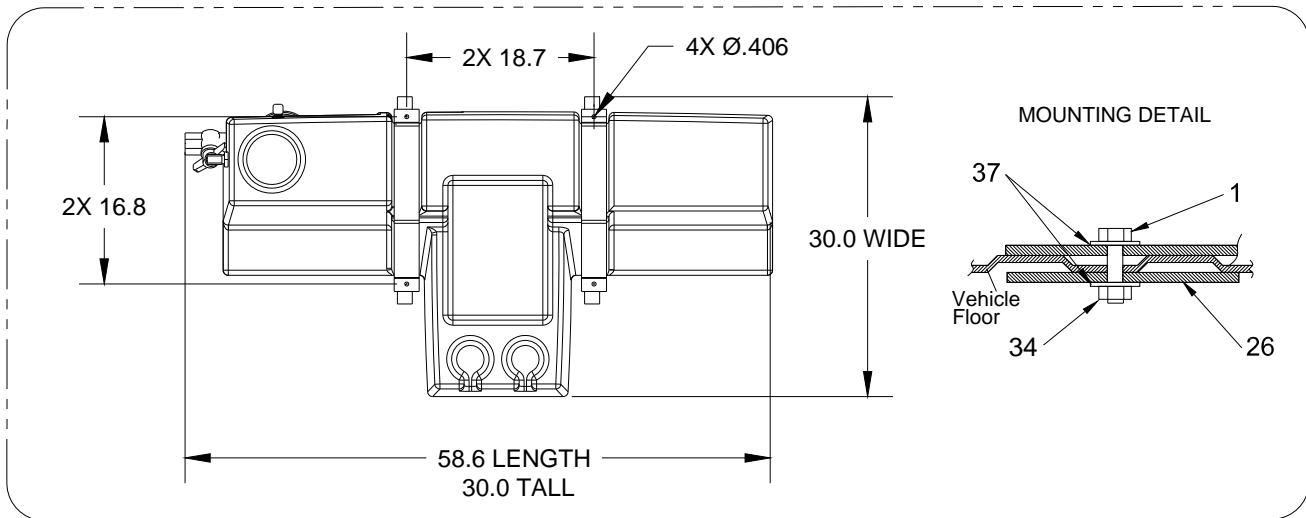
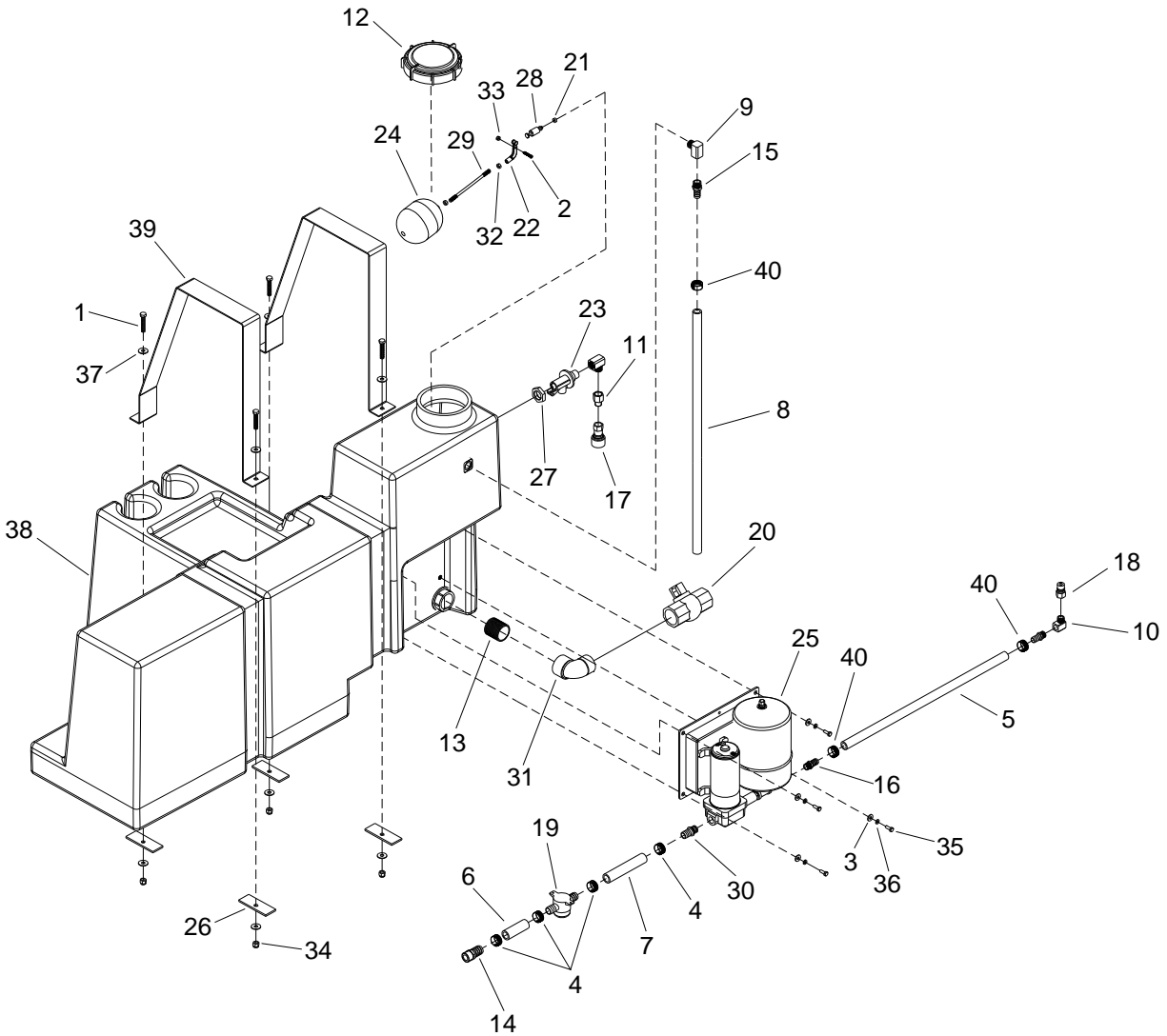
REF	PART NO.	PRV NO.	QTY	DESCRIPTION	SERIAL NO. FROM	NOTES
-	86041730	66-945260	-	TANK, DUAL SADDLE W/DMD PUMP		COMPLETE
-	86041710	66-945265	-	SINGLE SADDLE TANK W/DMND PMP		COMPLETE
1	86048310	50-501774	4	HOLD DOWN, SADDLE TANK GRAY		
2	86279510	87171	16	WASHER, 3/8 FLAT		
3	86010790	87163	16	WASHER 3/8 SPLIT LOCK		
4	86277830	00-000072	16	SCR, 3/8-16 X 2' HXHD		
5	86176400	11-800432	4	CAP, WATER BOX		
6	86180170	11-800041	2	ELL, STREET 1/2 BR		
7	86181370	12-800278	4	FTTG, BRB 1/2P X 3/4H BR		
8	86177020	03-000113	4	CLAMP, HOSE #12 SST		
9	86280590	09-805456	1	HOSE, WTR 3/4 X 96"		
10	86194120	11-800085	1	TEE, 1/2 BRASS		
11	86043320	56-502000	2	ASSY, BASE SADDLE TANK GRAY		
12	86030990	58-500661	2	MOLDING, WATER TANK		
13	86190500	11-800168	2	PLUG, 1/2 BRASS HXHD		
14	86190170	50-500511	1	PLATE, INSTALL MT		
15	86005770	57119	9	NUT, 3/8-16 HEX NYLOCK		
-	86285190	41458	1	SHLR, CHEM, 10-GAL JUG		

Water Tank - Demand Pump - Optional



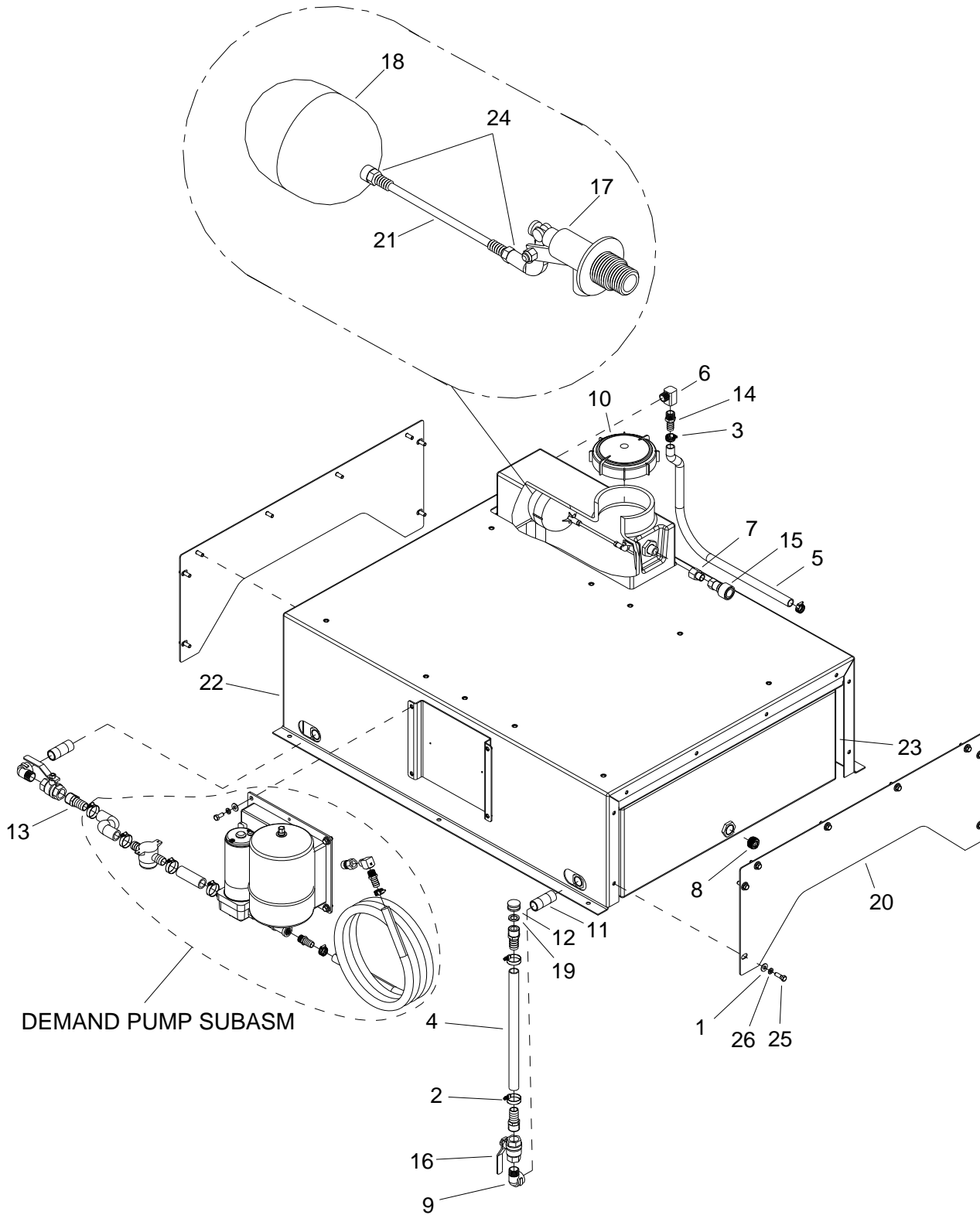
REF	PART NO.	PRV NO.	QTY	DESCRIPTION	SERIAL NO. FROM	NOTES
1	86006760	70305	4	SCR, 5/16-18 X 3/4 HHCS GR5 PL TDL		
2	86279130	87083	4	WASHER, 5/16 SPLIT LOCK PLTD		
3	86278830	02-000143	4	WASHER, 5/16 FLAT		
4	86177020	03-000113	4	CLAMP, HOSE #12 SST		
5	86280290	09-805278	1	HOSE, WATER 3/4 X 3"		
6	86280420	09-805357	1	HOSE, WATER .75 X 5.5		
7	86280550	09-805446	1	HOSE, 5/8ID BLU X 55"		
8	86181400	12-800345	1	FTTG, BRB 3/8P X 5/8H BR		
9	86179630	13-806009	1	DISCONNECT, 3/8M X 3/8FP		
10	86180900	14-806553	1	FILTER, DEMAND PUMP		
11	86190740	41-905049	1	PUMP, WATER BOOSTER		
12	86186120	48-809423	1	KIT, PORT		
13	86180210	11-800275	1	ELBOW, ST 3/8 BR		
14	86177060	03-000246	2	CLAMP, HOSE #8 SST		
-	86191390	65240	1	PUMP ONLY, TM DEMAND		
-	86186030	47449	1	KIT SERVICE DEMAND PMP		

Auxiliary Water Tank with Pump



REF	PART NO.	PRV NO.	QTY	DESCRIPTION	SERIAL NO. FROM	NOTES
1	86277830	00-000072	4	SCR, 3/8-16 X 2" HXHD		
2	86277850	00-000337	1	SCR, 10-32 X 1" SOCHD SST		
3	86270330	02-000066	4	FLATWASHER, 1/4		
4	86177020	03-000113	4	CLAMP, HOSE #12 SST		
5	86280550	09-805446	1	HOSE, 5/8 ID BLU X 55"		
6	86280290	09-805278	1	HOSE, 3/4 ID WTR X 3"		
7	86280420	09-805357	1	HOSE, 3/4 ID WTR X5.5"		
8	86280140	09-805406	1	HOSE, 5/8 ID BLU X 30 1/2		
9	86180170	11-800041	2	ELL, STREET 1/2 BR MACH		
10	86180210	11-800275	1	ELL, ST 3/8 BR		
11	86191600	11-800283	1	RED, 1/2FP X 3/8P BR		
12	86176400	11-800432	1	CAP, WATER BOX		
13	86188470	11-800524	1	NIP, 1-1/2XCL PVC (SCH80)		
14	86181320	12-800095	1	FTTG, BRB 3/4PX3/4H BR		
15	86181360	12-800269	1	FTTG, BRB 1/2 X 5/8H BR		
16	86181400	12-800345	2	FTTG, BRB 3/8P X 5/8 BR		
17	86179710	13-806008	1	DISCONNECT 3/8F X 3/8FP		
18	86179630	13-806009	1	DISCONNECT 3/8M X 3/8FP		
19	86180900	14-806553	1	FILTER, DEMAND PUMP		
20	86195010	15-808080	1	VALVE, BALL PVC 1-1/2FP		
21	86192380	16-808164	1	SEAT, FLOAT VLV TM		
22	86173820	16-808216	1	ARM, PIVOT-FH VLV		
23	86174610	16-808217	1	BDY, FLOAT VLV		
24	86174540	19-807014	1	BALL, FLOAT		
25	86190740	41-905049	1	PMP, WTR BOOSTER FLOJET 2		
26	86190170	50-500511	4	PLATE, INSTALL MT		
27	86189010	52-501706	1	NUT, FLOAT VALVE		
28	86028860	52-800314	1	PISTON, FLOAT VLV PISTON		
29	86181150	54-501715	1	FLOAT ROD, TM		
30	86186120	48-809423	1	KIT, PORT DEMAND PUMP		
31	86180010	31100	1	ELBOW, 1.5 STREET PVC MP X FP		
32	86270770	57006	2	NUT, 1/4-20 HEX		
33	86270990	57090	1	NUT, 10-32 HEX NYLOCK SS		
34	86005770	57119	4	NUT, 3/8-16 HEX NYLOCK		
35	86274750	70270	4	SCR, 1/4-20 X 3/4 HHCS PLTD		
36	86010780	87162	4	WASHER, 1/4 SPLIT LOCK PLTD		
37	86279510	87171	8	WASHER, 3/8 FLAT		
38	86031000	790617	1	TANK, FRESH WATER 70GAL		
39	86057170	790666	2	STRAP, WTR TNK HOLD DOWN		
40	86177060	03-000246	3	CLAMP, HOSE #8 SST		

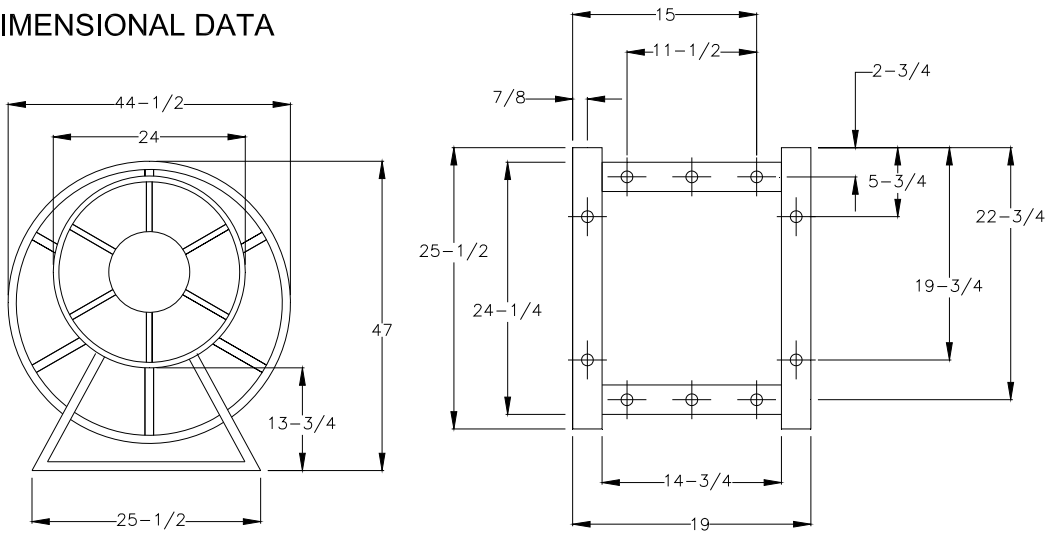
Auxiliary Water Tank - Optional



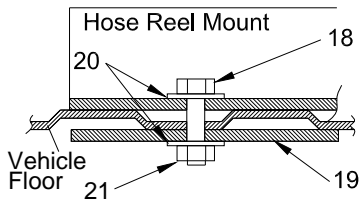
REF	PART NO.	PRV NO.	QTY	DESCRIPTION	SERIAL NO. FROM	NOTES
1	86278830	02-000143	16	WASHER, 5/16 FLAT PLTD		
2	86177020	03-000113	6	CLAMP, HOSE #12 SST		
3	86177060	03-000246	4	CLAMP, HOSE, #8 SST		
4	86280060	09-805100	1	HOS, 3/4ID WTR X 13.5"		
5	86280100	09-805288	1	HOS, 5/8ID BLU X 27"		
6	86180170	11-800041	1	ELL, STREET 1/2 BR MACH		
7	86191600	11-800283	1	RED, 1/2FP X 3/8P BR		
8	86190190	11-800357	1	PLG, 3/4 SOCHD BR		
9	86180260	11-800401	2	ELL, 3/4 ST BR		
10	86176400	11-800432	1	CAP, WATER BOX		
11	86188480	11-800525	2	NIP, 3/4 X 2-1/2 BR		
12	86176420	12-800052	1	CAP, HOS 3/4 BR		
13	86181320	12-800095	3	FTTG, BRB 3/8P X 3/4H BR		
14	86181360	12-800269	1	FTTG, BRB 1/2P X 5/8H BR		
15	86179710	13-806008	1	DSC, 3/8F X 3/8FP		
16	86195330	15-808072	2	VLV, BALL 3/4 BS		
17	86195060	15-808110	1	VALVE, FLOAT, TM		
18	86174540	19-807014	1	BALL, FLOAT		
19	86195820	43-807008	1	WSR, HOS 5/8ID 1"OD		
20	86050960	50-502092	2	PL, FRT TANK SUPPORT		
21	86181150	54-501715	1	ROD, FLOAT 1/4-20 X 6" SS		
22	86047580	56-502505	1	ENCL, TNK SUPT W/DEM PMP		
23	86030970	58-500899	1	MLDG, WTR TNK, 60G W/OVRFI		
24	86270770	57006	2	NUT, 1/4-20 HEX		
25	86006750	70302	16	SCR, 5/16-18 X 1.00 HHCS GR5		
26	86279130	87083	16	WASHER, 5/16 SPLIT		

Hose Reel - Optional

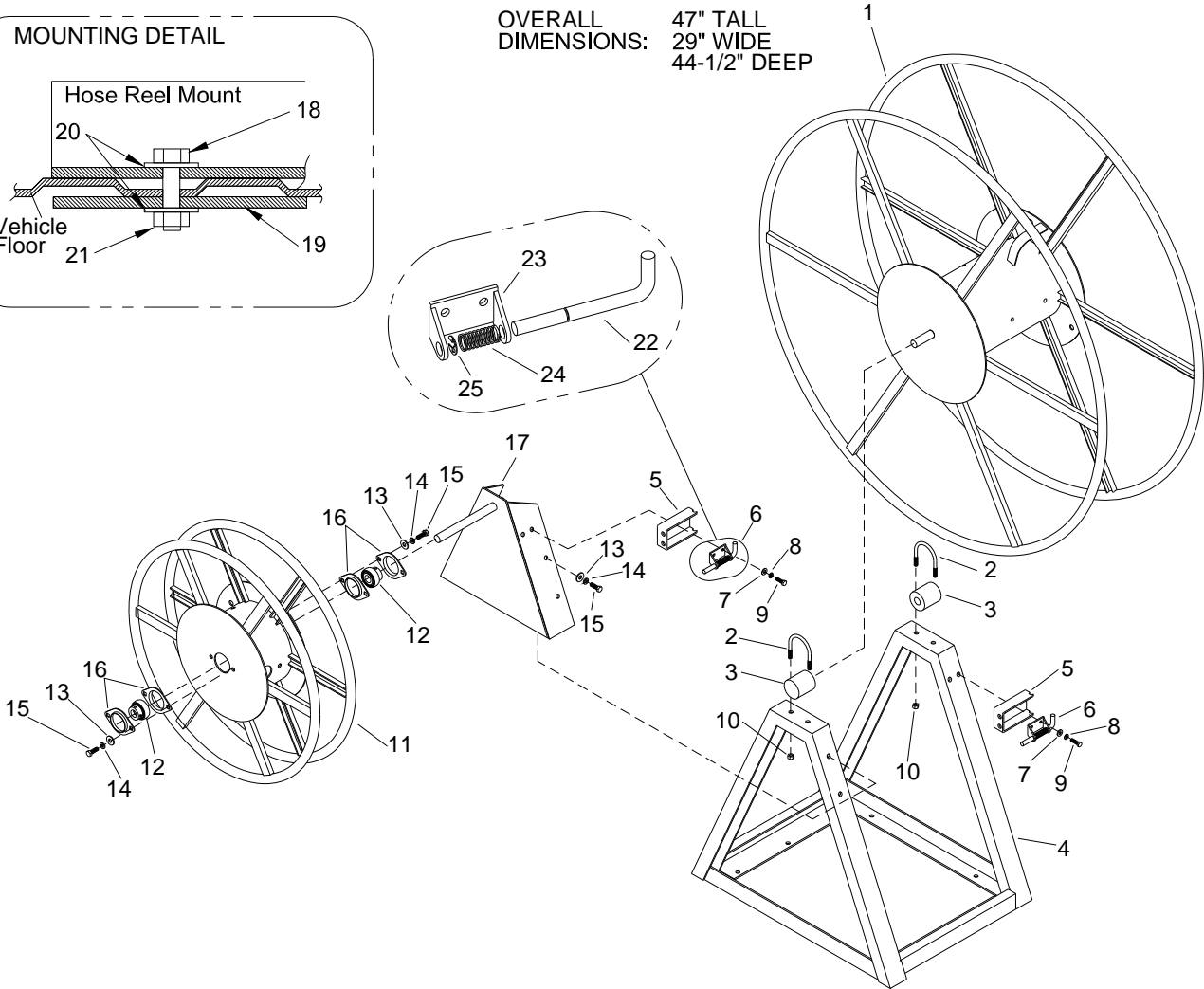
DIMENSIONAL DATA



MOUNTING DETAIL

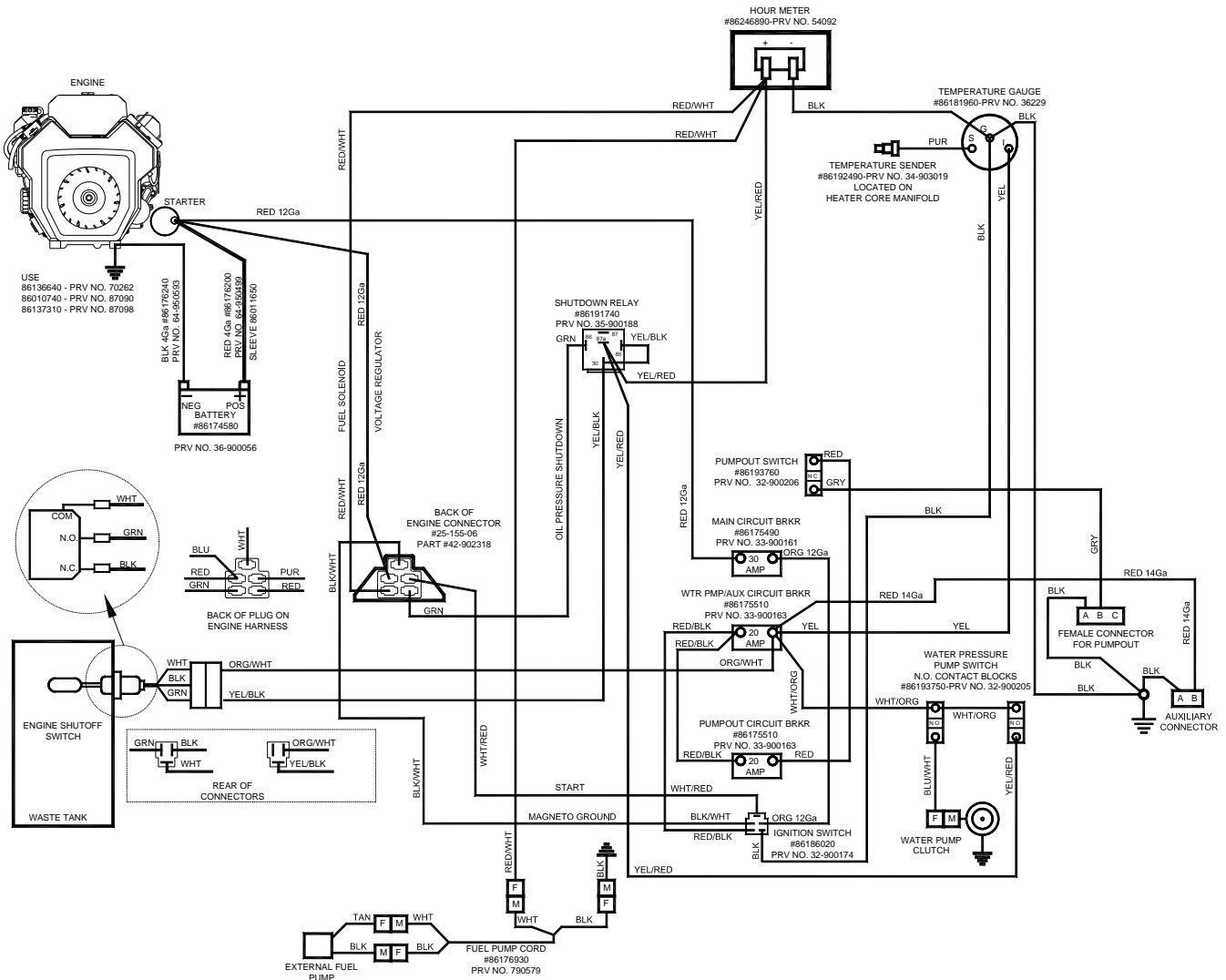


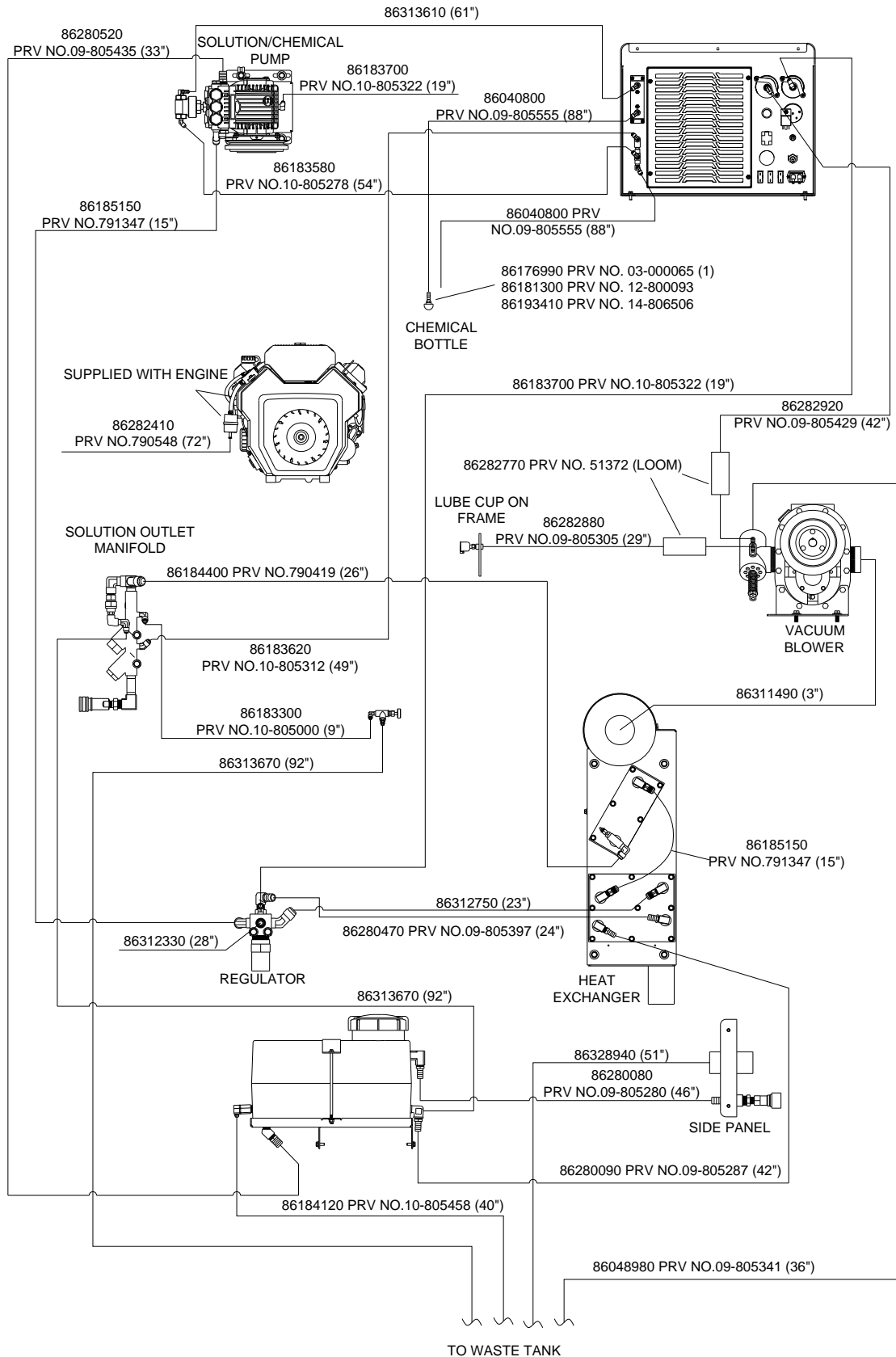
OVERALL DIMENSIONS: 47" TALL
29" WIDE
44-1/2" DEEP



REF	PART NO.	PRV NO.	QTY	DESCRIPTION	SERIAL NO. FROM	NOTES:
1	86191620	56-501962	1	REEL, VACUUM HOSE GRAY		
2	86177270	03-000124	2	CLAMP, MFLR 1-3/4		
3	86175990	52-501685	2	BUSHING, HOSE REEL		
4	86174560	56-501960	1	BASE, HOSE RL (250')		
5	86175740	56-502207	1	BRKT, LOCKOUT HOSE REEL		
6	86186870	61-950854	1	LATCH ASSEMBLY		
7	86270330	02-000066	2	FLATWASHER, 1/4		
8	86010780	87162	2	WASHER, 1/4 SLPIT LOCK		
9	86274750	70270	2	SCR, 1/4-20 X 3/4 HHCS PLTD		
10	86005650	57031	2	NUT, 5/16-18 HEX		
11	86191820	56-501968	1	REEL, HP HOSE GRAY		
12	86174740	45-802138	2	BEARING HOSE REEL		
13	86278830	02-000143	4	FLATWASHER, 5/16		
14	86279130	87083	4	WASHER, 5/16 SPLIT LOCK PLTD		
15	86006750	70302	4	SCR, 5/16-18 X 1" HHCSGR5PLT		
16	86181030	44-802122	4	FLANGE, 47MST		
17	86174730	56-501961	1	BODY, HP HOSE GRAY		
18	86277830	00-000072	10	SCR, 3/8-16 X 2" HXHD		
19	86190170	50-500511	1	PLATE, INSTALL MT		
20	86279510	87171	10	WASHER, 3/8 FLAT		
21	86005770	57119	10	NUT, 3/8-16 HEX NYLOCK		
22	86189850	55-501789	1	PIN, LOCK HOSE REEL		
23	86175700	50-501812	1	BRKT, HOSE REEL LOCK		
24	86193240	04-000302	1	SPRING, LOCK-LOCK PIN ASSY		
25	86177190	04-000303	1	CLIP, RETAINER-LOCK PIN ASSY		

Wiring Diagram





Serial Numbers

REF. NO.	MODEL: SERIAL #
1	10011190000135